

Exponents Associated with Y -Systems and their Relationship with q -Series

Yuma MIZUNO

*Department of Mathematical and Computing Science, Tokyo Institute of Technology,
2-12-1 Ookayama, Meguro-ku, Tokyo 152-8550, Japan*

E-mail: mizuno.y.aj@m.titech.ac.jp

Received September 27, 2019, in final form April 02, 2020; Published online April 18, 2020

<https://doi.org/10.3842/SIGMA.2020.028>

Abstract. Let X_r be a finite type Dynkin diagram, and ℓ be a positive integer greater than or equal to two. The Y -system of type X_r with level ℓ is a system of algebraic relations, whose solutions have been proved to have periodicity. For any pair (X_r, ℓ) , we define an integer sequence called exponents using formulation of the Y -system by cluster algebras. We give a conjectural formula expressing the exponents by the root system of type X_r , and prove this conjecture for (A_1, ℓ) and $(A_r, 2)$ cases. We point out that a specialization of this conjecture gives a relationship between the exponents and the asymptotic dimension of an integrable highest weight module of an affine Lie algebra. We also give a point of view from q -series identities for this relationship.

Key words: cluster algebras; Y -systems; root systems; q -series

2020 Mathematics Subject Classification: 13F60; 17B22; 81R10

Contents

| | | |
|----------|--|-----------|
| 1 | Introduction | 2 |
| 2 | Quiver mutations and Y-seed mutations | 5 |
| 2.1 | Quiver mutations | 5 |
| 2.2 | Y -seed mutations | 7 |
| 3 | Exponents determined from a pair (X_r, ℓ) | 7 |
| 3.1 | Root systems | 7 |
| 3.2 | Quiver $Q(X_r, \ell)$ | 8 |
| 3.3 | Mutation loop on $Q(X_r, \ell)$ | 12 |
| 3.4 | Periodicity | 14 |
| 3.5 | Exponents of $Q(X_r, \ell)$ | 14 |
| 3.6 | Conjecture on exponents | 15 |
| 3.7 | Examples | 16 |
| 4 | Proofs of Theorem 3.9 | 17 |
| 4.1 | (A_1, ℓ) case | 17 |
| 4.2 | $(A_r, 2)$ case | 23 |

| | | |
|----------|--|-----------|
| 5 | Partition q-series | 24 |
| 5.1 | Mutation networks | 24 |
| 5.2 | Definition of partition q -series | 27 |
| 5.3 | Asymptotics of partition q -series | 28 |
| 5.4 | Partition q -series of the mutation loop on $Q(X_r, \ell)$ | 30 |
| 6 | Relationships with affine Lie algebras | 38 |
| 6.1 | Affine Lie algebras | 38 |
| 6.2 | Exponents and asymptotic dimension | 40 |
| | References | 40 |

1 Introduction

In the study of thermodynamic Bethe ansatz, Zamolodchikov introduced a system of algebraic relations called Y -system for any finite type simply laced Dynkin diagram and conjectured that solutions of the Y -system have periodicity. This periodicity conjecture was proved by Fomin and Zelevinsky [5]. Their proof was implicitly based on the theory of cluster algebras that they introduced in [4]. In fact, in [6] they refined the result on the periodicity using the concept in cluster algebras called Y -seed mutations.

More generally, for any finite type Dynkin diagram X_r ($= A_r, B_r, C_r, D_r, E_{6,7,8}, F_4$ or G_2) and integer $\ell \geq 2$ called level, the Y -system associated with the pair (X_r, ℓ) is defined in [21]. When X is ADE and the level is 2, this is the Y -system introduced by Zamolodchikov. The periodicities for these Y -systems were also proved in [12, 13, 18]. Their proof used the quiver representation theory, in particular the algebraic objects called the cluster categories.

Although these periodicities are themselves very interesting, it is also interesting that they relate to conformal field theories through the Rogers dilogarithm function. The sum of special values of the Rogers dilogarithm function associated with the Y -system gives the central charge of a conformal field theory [12, 13, 29]. This is called the dilogarithm identities in conformal field theories. Note that the central charge also appears as the exponential growth of a character in the representation theory of affine Lie algebras [15]. For the proof of these identities, the periodicity of the Y -system mentioned earlier plays an essential role.

The purpose of this paper is to introduce a sequence of integers associated with the Y -system that we call *exponents* and to reveal interesting features of it. In particular, we give a conjectural formula on the exponents that gives a new connection between the theory of cluster algebras and the representational theory of affine Lie algebras, and give proofs for some cases.

In order to define the exponents, we first review roughly formulation of the Y -systems by cluster algebras. First, we define a quiver $Q(X_r, \ell)$ for a pair (X_r, ℓ) . Then, we can obtain the Y -system as algebraic relations between rational functions obtained by repeating mutations, which are certain operations defined on quivers. In particular, we can paraphrase the periodicity of the Y -system associated with a pair (X_r, ℓ) to the periodicity of the cluster transformation μ , which is a rational function obtained from a mutation sequence on $Q(X_r, \ell)$. Let \mathbf{I} be the set of vertices in $Q(X_r, \ell)$. Then the cluster transformation μ is actually an \mathbf{I} -tuple of single rational functions in the variables $y := (y_i \mid i \in \mathbf{I})$, that is, $\mu \in \mathbb{Q}(y_i \mid i \in \mathbf{I})^{\mathbf{I}}$. Keller [18] (for $X = ADE$) and Inoue et al. [12, 13] (for $X = BCFG$) proved the periodicity of the Y -system by showing that μ has the following periodicity:

$$\underbrace{\mu \circ \mu \circ \cdots \circ \mu}_{t(\ell+h^\vee)}(y) = y,$$

where t is defined by

$$t = \begin{cases} 1 & \text{if } X_r = A_r, D_r, E_6, E_7 \text{ or } E_8, \\ 2 & \text{if } X_r = B_r, C_r \text{ or } F_4, \\ 3 & \text{if } X_r = G_2, \end{cases}$$

and h^\vee is the dual Coxeter number of X_r .

Using this result, we define the exponents as follows. First, we see that there is a unique $\eta \in (\mathbb{R}_{>0})^{\mathbf{I}}$ that satisfies $\mu(\eta) = \eta$. Then, let $J(y)$ be the Jacobian matrix of the rational function μ :

$$J(y) = \left(\frac{\partial \mu_i}{\partial y_j}(y) \right)_{i,j \in \mathbf{I}}.$$

The periodicity of μ implies that the $t(\ell + h^\vee)$ -th power of $J(\eta)$ is the identity matrix. Thus all the eigenvalues of $J(\eta)$ are $t(\ell + h^\vee)$ -th root of unities. These eigenvalues can be written as

$$e^{\frac{2\pi i m_1}{t(\ell+h^\vee)}}, e^{\frac{2\pi i m_2}{t(\ell+h^\vee)}}, \dots, e^{\frac{2\pi i m_{|\mathbf{I}|}}{t(\ell+h^\vee)}},$$

using a sequence of integers $0 \leq m_1 \leq m_2 \leq \dots \leq m_{|\mathbf{I}|} < t(\ell + h^\vee)$. We say that this sequence $m_1, \dots, m_{|\mathbf{I}|}$ is the exponents of $Q(X_r, \ell)$.

We give a conjectural formula on the exponents in terms of root systems. Let Δ be the root system of type X_r with an inner product $(\cdot | \cdot)$ normalized as $(\alpha | \alpha) = 2$ for long roots α . Let $\alpha_1, \dots, \alpha_r$ be simple roots of Δ . For any $a = 1, \dots, r$, we define an integer t_a by $t_a = 2/(\alpha_a | \alpha_a)$. Let Δ^{long} and Δ^{short} be the set of the long roots and the short roots, respectively. Let ρ be the half of the sum of the positive roots. Using these materials, we define two polynomials $N_{X_r, \ell}(x)$ and $D_{X_r, \ell}(x)$ by

$$N_{X_r, \ell}(x) = \prod_{a=1}^r \frac{x^{t(\ell+h^\vee)} - 1}{x^{t/t_a} - 1}, \quad D_{X_r, \ell}(x) = D_{X_r, \ell}^{\text{long}}(x) D_{X_r, \ell}^{\text{short}}(x),$$

where the polynomials $D_{X_r, \ell}^{\text{long}}(x)$ and $D_{X_r, \ell}^{\text{short}}(x)$ are defined by

$$D_{X_r, \ell}^{\text{long}}(x) = \prod_{\alpha \in \Delta^{\text{long}}} \left(x^t - e^{\frac{2\pi i(\rho | \alpha)}{\ell+h^\vee}} \right), \quad D_{X_r, \ell}^{\text{short}}(x) = \prod_{\alpha \in \Delta^{\text{short}}} \left(x - e^{\frac{2\pi i(\rho | \alpha)}{\ell+h^\vee}} \right).$$

The following formula is the main conjecture of this paper. It says that the exponents are obtained from the ratio of $N_{X_r, \ell}(x)$ and $D_{X_r, \ell}(x)$.

Conjecture 1.1. *The following identity holds for the characteristic polynomial of $J(\eta)$:*

$$\det(xI - J(\eta)) = \frac{N_{X_r, \ell}(x)}{D_{X_r, \ell}(x)}.$$

We prove the conjecture in the following cases. In these cases, we give explicit expressions for eigenvectors of $J(\eta)$ using known explicit expressions for η .

Theorem 1.2. *Conjecture 1.1 is true in the following cases:*

- 1) (A_1, ℓ) for all $\ell \geq 2$,
- 2) $(A_r, 2)$ for all $r \geq 1$.

This conjecture gives a relationship between cluster algebras and root systems. Even more interestingly, it relates to the representation theory of affine Lie algebras. Let us explain this. Let \mathfrak{g} be the finite dimensional simple Lie algebra of type X_r , and $\hat{\mathfrak{g}}$ be the affine Lie algebra associated with \mathfrak{g} . It is a central extension of the loop algebra of \mathfrak{g} together with a derivation operator d . Let $L(\Lambda)$ be the integrable highest weight $\hat{\mathfrak{g}}$ -module with the highest weight Λ . The (specialized) character $\chi_\Lambda(q)$ is a q -series such that its coefficients are the multiplicities of the eigenvalues of the derivation operator d in $L(\Lambda)$. If we set $q = e^{2\pi i\tau}$, the character $\chi_\Lambda(q)$ converges to a holomorphic function on the upper half-plane $\mathbb{H} = \{\tau \in \mathbb{C} \mid \text{Im } \tau > 0\}$. Let $\tau \downarrow 0$ denote the limit in the positive imaginary axis. Kac and Peterson [15] found that $\chi_\Lambda(q)$ has the following asymptotics:

$$\lim_{\tau \downarrow 0} \chi_\Lambda(e^{2\pi i\tau}) e^{-\frac{\pi ic(\ell)}{12\tau}} = a(\Lambda),$$

for some rational number c and real number $a(\Lambda)$. The real number $a(\Lambda)$ is called the asymptotic dimension of $L(\Lambda)$. They also found the explicit formula of asymptotic dimensions. Using their formula, we find that the right-hand side of our conjecture at $x = 1$ and the asymptotic dimension of $L(\ell\Lambda_0)$ where Λ_0 is the 0-th fundamental weight is related as follows:

$$\frac{N_{X_r, \ell}(1)}{D_{X_r, \ell}(1)} = |P/Q|^{-1} a(\ell\Lambda_0)^{-2},$$

where P and Q are the weight lattice and the root lattice for \mathfrak{g} , respectively. Therefore, if the conjecture is true, we can describe the asymptotic dimension using the exponents.

Another interesting feature about the exponents that we deal with in this paper is that the relationship between the exponents and partition q -series. Partition q -series, which is defined by Kato and Terashima [17], is a certain q -series associated with a mutation sequence. Typically, it has the following form:

$$\mathcal{Z}(q) = \sum_{u \in (\mathbb{Z}_{\geq 0})^T} \frac{q^{\frac{1}{2}u^T K u}}{(q)_{u_1} \cdots (q)_{u_T}},$$

where T is a positive integer, K is a $T \times T$ positive definite symmetric matrix with rational coefficients, and $(q)_n$ is defined by

$$(q)_n = \prod_{k=1}^n (1 - q^k).$$

This type of q -series has been studied in various contexts, such as characters of conformal field theories, Rogers-Ramanujan type identities, algebraic K -theory, and 3-dimensional topology [1, 2, 3, 8, 9, 11, 22, 24, 28, 32, 33, 37, 38, 39].

As explained earlier, we can obtain a mutation sequence for any pair (X_r, ℓ) that describes the corresponding Y -system. We can define the partition q -series $\mathcal{Z}(q)$ associated with this mutation sequence. We show that the exponents and the asymptotics of this partition q -series are related as follows:

$$\lim_{\varepsilon \rightarrow 0} \mathcal{Z}(e^{-\varepsilon}) e^{-\frac{a}{\varepsilon}} = \sqrt{\frac{\det A_+}{\det(I - J(\eta))}},$$

where a is a positive real number and A_+ is a matrix determined by the mutation sequence that we call (the plus one of) the Neumann-Zagier matrix. This result explains the conjectural relationship between the exponents and the asymptotic dimension mentioned earlier from

a viewpoint of q -series. As observed in [17], the partition q -series conjecturally coincides with a finite sum of the string functions associated with the integrable highest $\hat{\mathfrak{g}}$ -module $L(\ell\Lambda_0)$ via the conjecture in [22]. Since Kac and Peterson [15] showed that the asymptotic dimension appears in the asymptotics of the string functions, we can obtain the relationship between the exponents and the asymptotic dimension from the relationship between the partition q -series and the string functions. We see that the resulting relationship is exactly our conjecture at $x = 1$. This gives us a consistency between our conjecture on exponents and the known conjecture on q -series, and also gives an interesting connection between the theory of cluster algebras and the representation theory of affine Lie algebras.

Remark 1.3. The tuple η of positive real numbers plays an important role in our definition of the exponents. We remark that there is a conjectural explicit formula of η for general (X_r, ℓ) described by the q -dimension of Kirillov-Reshetikhin modules [20, Conjecture 2] (see also [22, Conjecture 14.2 and Remark 14.3]). A version of this conjecture is also found in [19]. It is not difficult to verify this conjecture for type A . It was also proved for type D by Lee [25], for type E_6 by Gleitz [10], and for all classical types by Lee [26].

This paper is organized as follows. In Section 2, we review quiver mutations and Y -seed mutations. In Section 3, we define the exponents associated with the Y -system for any pair (X_r, ℓ) , and give a conjecture that describe the exponents in terms of the root system of type X_r . In Section 4, we give proofs of this conjecture for (A_q, ℓ) and $(A_r, 2)$. In Section 5, we study partition q -series. We calculate the asymptotics of partition q -series in Section 5.3, and give an explicit formula for the partition q -series associated with any pair (X_r, ℓ) in Section 5.4. In Section 6, we discuss relationships between the topics discussed so far and the representation theory of affine Lie algebras. We see that the asymptotics of the conjectural identity between the partition q -series and the string functions yields our conjecture at $x = 1$. We point out that this gives the relationship between the exponents and the asymptotic dimensions of integrable highest weight representations of affine Lie algebras.

2 Quiver mutations and Y -seed mutations

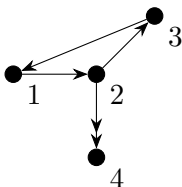
Here, we review quiver mutations and Y -seed mutations following [6].

2.1 Quiver mutations

Set n to be a fixed positive integer. A *quiver* is a directed graph with vertices $\mathbf{I} := \{1, \dots, n\}$ that may have multiple edges. In this paper, we assume that quivers do not have 1-loops and 2-cycles:



For example,

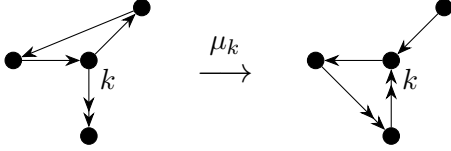


is a quiver.

Definition 2.1. Let Q be a quiver, and let k be a vertex of Q . The *quiver mutation* μ_k is a transformation that transforms Q into the quiver $\mu_k(Q)$ defined by the following three steps:

1. For each length two path $i \rightarrow k \rightarrow j$, add a new arrow $i \rightarrow j$.
2. Reverse all arrows incident to the vertex k .
3. Remove all 2-cycles.

The transition



is an example of a quiver mutation, where we have omitted all labels other than the vertex k .

It is sometimes convenient to identify a quiver with a skew-symmetric matrix. Let Q be a quiver. For vertices i, j , we denote the number of arrows from i to j by Q_{ij} . Let B be the $n \times n$ matrix whose (i, j) -entry is defined by

$$B_{ij} = Q_{ij} - Q_{ji}.$$

Then the matrix B is skew-symmetric. Conversely, given any skew-symmetric matrix B , we can construct a quiver Q by

$$Q_{ij} = [B_{ij}]_+,$$

where $[x]_+ = \max(0, x)$, and this gives a bijection between the set of $n \times n$ skew-symmetric integer matrices and the set of quivers with vertices labeled with $1, \dots, n$.

In the language of skew-symmetric matrices, the quiver mutation $Q \mapsto \mu_k(Q)$ can be described as follows:

$$\tilde{B}_{ij} = \begin{cases} -B_{ij} & \text{if } i = k \text{ or } j = k, \\ B_{ij} + B_{ik}B_{kj} & \text{if } B_{ik} > 0 \text{ and } B_{kj} > 0, \\ B_{ij} - B_{ik}B_{kj} & \text{if } B_{ik} < 0 \text{ and } B_{kj} < 0, \\ B_{ij} & \text{otherwise,} \end{cases}$$

where B and \tilde{B} are the skew-symmetric matrices corresponding to Q and $\mu_k(Q)$, respectively.

Let ν be a permutation of $\{1, \dots, n\}$. We define the action of ν on a quiver Q by $\sigma(Q)_{ij} = Q_{\nu^{-1}(i)\nu^{-1}(j)}$.

Let $m = (m_1, \dots, m_T)$ be a sequence of vertices of a quiver Q , and ν be a permutation on the vertices of Q . Consider the transitions of quivers

$$Q(0) \xrightarrow{\mu_{m_1}} Q(1) \xrightarrow{\mu_{m_2}} \dots \xrightarrow{\mu_{m_T}} Q(T) \xrightarrow{\nu} \nu(Q(T)).$$

where $Q(0) := Q$. We say that a triple $\gamma = (Q, m, \nu)$ is a *mutation loop* if $Q(0) = \nu(Q(T))$

We define the following notion introduced in [30].

Definition 2.2. We say that a mutation loop $\gamma = (Q, m, \nu)$ is *regular* if it satisfies the following conditions:

1. The set $\{\nu^n(m_t) \mid n \in \mathbb{Z}, 1 \leq t \leq T\}$ coincides with \mathbf{I} .
2. The vertices m_1, \dots, m_T belong to distinct ν -orbits in \mathbf{I} .

2.2 Y -seed mutations

Let \mathcal{F} be the field of rational functions in the variables y_1, \dots, y_n over \mathbb{Q} , and let

$$\mathcal{F}_{\text{sf}} = \left\{ \frac{f(y_1, \dots, y_n)}{g(y_1, \dots, y_n)} \in \mathcal{F} \mid \begin{array}{l} f \text{ and } g \text{ are non-zero polynomials in } \mathbb{Q}[y_1, \dots, y_n] \\ \text{with non-negative coefficients} \end{array} \right\}$$

be the set of subtraction-free rational expressions in y_1, \dots, y_n over \mathbb{Q} . This is closed under the usual multiplication and addition, and is called *universal semifield* in the variables y_1, \dots, y_n .

A Y -seed is a pair (Q, Y) where Q is a quiver with vertices $\{1, \dots, n\}$, and $Y = (Y_1, \dots, Y_n)$ is an n -tuple of elements of \mathcal{F}_{sf} . Given this, Y -seed mutations are defined as follows.

Definition 2.3. Let (Q, Y) be a Y -seed, and let $k \in \{1, \dots, n\}$. The Y -seed mutation μ_k is a transformation that transforms (Q, Y) into the Y -seed $\mu_k(Q, Y) = (\tilde{Q}, \tilde{Y})$, where $\tilde{Q} = \mu_k(Q)$ defined in Definition 2.1, and \tilde{Y} is defined as follows:

$$\tilde{Y}_i = \begin{cases} Y_k^{-1} & \text{if } i = k, \\ Y_i(Y_k^{-1} + 1)^{-Q_{ki}} & \text{if } i \neq k, Q_{ki} \geq 0, \\ Y_i(Y_k + 1)^{Q_{ik}} & \text{if } i \neq k, Q_{ik} \geq 0. \end{cases}$$

Let ν be a permutation of $\{1, \dots, n\}$. We define an action of ν on a Y -seed by $\nu(Q, Y) = (\nu(Q), \nu(Y))$ where $\nu(Y)_i = Y_{\nu^{-1}(i)}$.

Let $\gamma = (Q, m, \nu)$ be a mutation loop, and let $(Q(0), Y(0))$ be the Y -seed defined by $Q(0) = Q$ and $Y(0) = (y_1, \dots, y_n)$. Then the mutation loop γ gives the following transitions of Y -seeds:

$$(Q(0), Y(0)) \xrightarrow{\mu_{m_1}} \dots \xrightarrow{\mu_{m_T}} (Q(T), Y(T)) \xrightarrow{\nu} (\nu(Q(T)), \nu(Y(T))). \quad (2.1)$$

Although $Q(0) = \nu(Q(T))$ holds from the definition of a mutation loop, we have $Y(0) \neq \nu(Y(T))$ in general. We denote $\nu(Y(T))$ by $\mu_\gamma(y)$, and call it the *cluster transformation* of γ . It is an element of $(\mathcal{F}_{\text{sf}})^n$.

3 Exponents determined from a pair (X_r, ℓ)

3.1 Root systems

In this section, we introduce notations of root systems. Let Δ be a root system of type X_r on a \mathbb{R} -vector space with an inner product normalized as $(\alpha | \alpha) = 2$ for long roots α , where X_r is a finite type Dynkin diagram in the Fig. 1. Let $\alpha_1, \dots, \alpha_r$ be simple roots, where the numberings are consistent with the numberings of nodes in Fig. 1. Let Δ^{long} and Δ^{short} be the set of long roots and short roots, respectively. Let Δ_+ be the set of positive roots, and ρ be the half of the sum of the positive roots:

$$\rho = \frac{1}{2} \sum_{\alpha \in \Delta_+} \alpha.$$

We define an integer t by

$$t = \begin{cases} 1 & \text{if } X_r = A_r, D_r, E_6, E_7 \text{ or } E_8, \\ 2 & \text{if } X_r = B_r, C_r \text{ or } F_4, \\ 3 & \text{if } X_r = G_2. \end{cases} \quad (3.1)$$

For $a = 1, \dots, r$, we also define an integer $t_a \in \{1, 2, 3\}$ by

$$t_a = \frac{2}{(\alpha_a | \alpha_a)}.$$

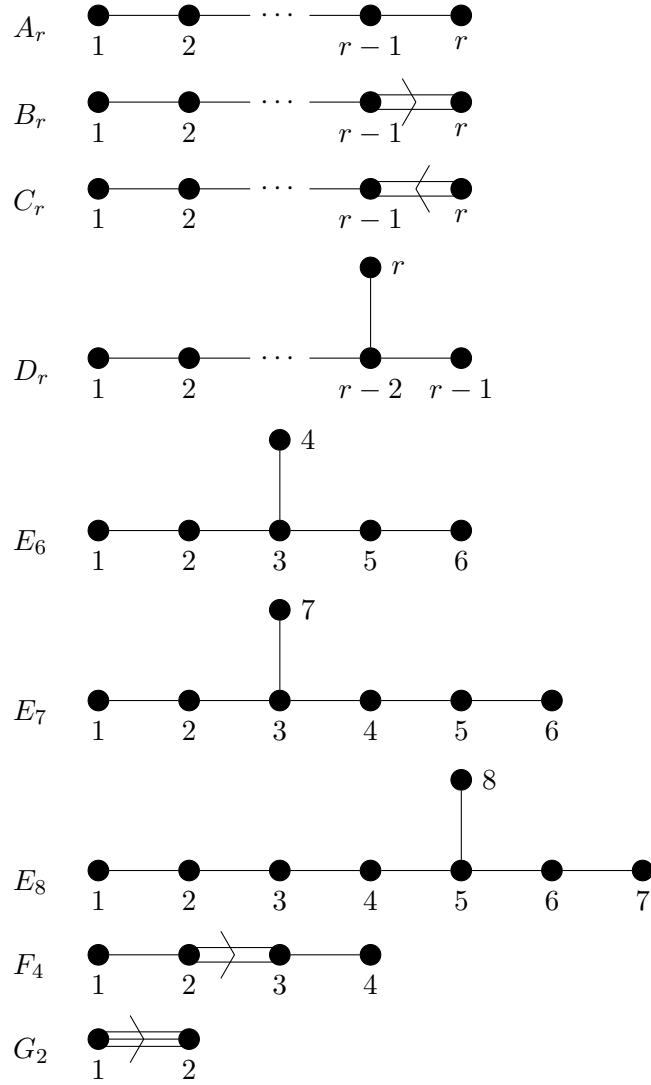


Figure 1. The list of finite type Dynkin diagrams.

3.2 Quiver $Q(X_r, \ell)$

For any finite type Dynkin diagram X_r and positive integer ℓ such that $\ell \geq 2$ (called a *level*), Inoue, Iyama, Keller, Kuniba and Nakanishi [12, 13] defined a quiver $Q = Q(X_r, \ell)$ and a mutation loop $\gamma = \gamma(X_r, \ell)$ on $Q(X_r, \ell)$ that have the following periodicity:

$$\underbrace{\mu_\gamma \circ \mu_\gamma \circ \cdots \circ \mu_\gamma}_{t(\ell+h^\vee)}(y) = y,$$

where h^\vee is the *dual Coxeter number* of X_r . The list of dual Coxeter numbers is given by

$$\frac{X_r}{h^\vee} \left| \begin{array}{cccccccccc} A_r & B_r & C_r & D_r & E_6 & E_7 & E_8 & F_4 & G_2 \\ r+1 & 2r-1 & r+1 & 2r-2 & 12 & 18 & 30 & 9 & 4 \end{array} \right. \quad (3.2)$$

We review the definition of $Q(X_r, \ell)$ in this section, and the definition of $\gamma(X_r, \ell)$ in the next section. In the definition of $Q(X_r, \ell)$, we also give auxiliary labels on vertices as

$$+ \text{ or } - \qquad \qquad \qquad \text{if } X = A, D \text{ or } E,$$

+ or −, and • or ◦ if $X = B, C$ or F ,
 +, −, I, II, III, IV, V or VI, and • or ◦ if $X = G$.

These labels will be used when defining a mutation sequence $\gamma(X_r, \ell)$.

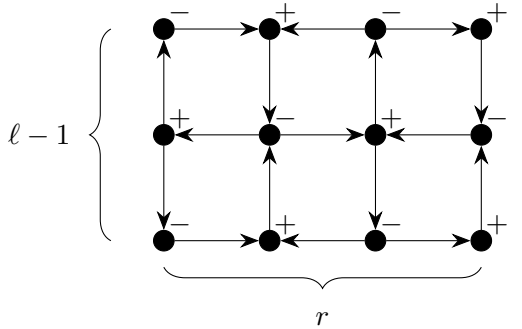
Type ADE

First, we assume that X_r is simply laced, that is, $X = A, D$ or E . Let $X'_{r'}$ be another simply laced Dynkin diagram. Let $C = (C_{ij})_{i,j=1,\dots,r}$ and $C' = (C'_{i'j'})_{i',j'=1,\dots,r'}$ be Cartan matrices of types X_r and $X'_{r'}$, respectively. Let $I = \{1, \dots, r\}$ and $I' = \{1, \dots, r'\}$ be the nodes in these Dynkin diagrams. We fix bipartite decompositions $I = I_+ \sqcup I_-$ and $I' = I'_+ \sqcup I'_-$. Let $\mathbf{I} = I \times I'$. For an element $\mathbf{i} = (i, i') \in \mathbf{I}$, we write \mathbf{i} : (++) if $\mathbf{i} \in I_+ \times I'_+$, etc. Let B be the skew-symmetric $\mathbf{I} \times \mathbf{I}$ matrix defined by

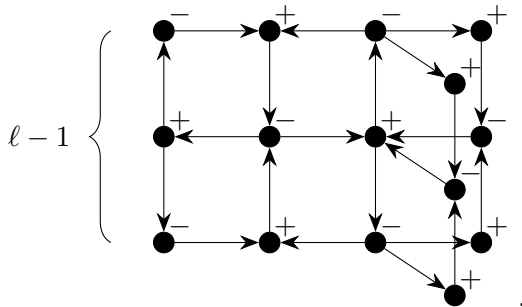
$$B_{\mathbf{i}\mathbf{j}} = \begin{cases} -C_{ij}\delta_{i'j'} & \text{if } \mathbf{i}: (-+), \mathbf{j}: (++) \text{ or } \mathbf{i}: (+-), \mathbf{j}: (--), \\ C_{ij}\delta_{i'j'} & \text{if } \mathbf{i}: (++) , \mathbf{j}: (-+) \text{ or } \mathbf{i}: (--) , \mathbf{j}: (+-), \\ -\delta_{ij}C_{i'j'} & \text{if } \mathbf{i}: (++) , \mathbf{j}: (+-) \text{ or } \mathbf{i}: (--) , \mathbf{j}: (-+), \\ \delta_{ij}C_{i'j'} & \text{if } \mathbf{i}: (+-), \mathbf{j}: (++) \text{ or } \mathbf{i}: (-+), \mathbf{j}: (--), \\ 0 & \text{otherwise.} \end{cases}$$

We define a quiver $Q(X_r, \ell)$ as the quiver corresponding to the skew-symmetric matrix B for $(X_r, X'_{r'}) = (X_r, A_{\ell-1})$. For each vertex \mathbf{i} , we label \mathbf{i} as + if $\mathbf{i}: (++)$ or $(--)$ and − if $\mathbf{i}: (+-)$ or $(-+)$.

For example, the quiver $Q(A_4, 4)$ is given by



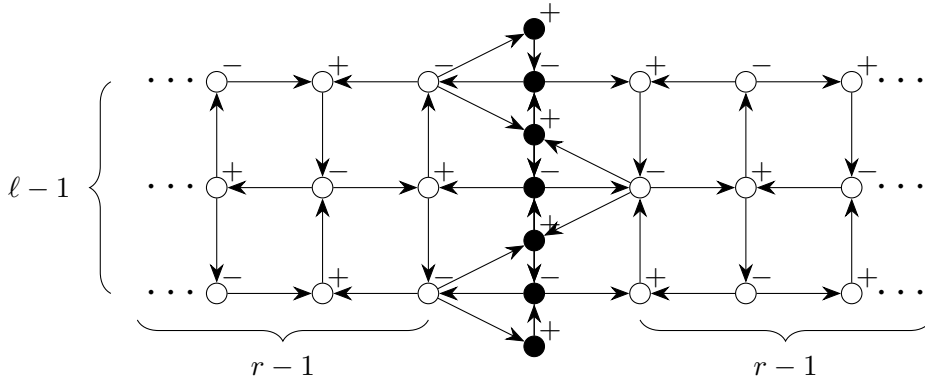
and the quiver $Q(D_5, 4)$ is given by



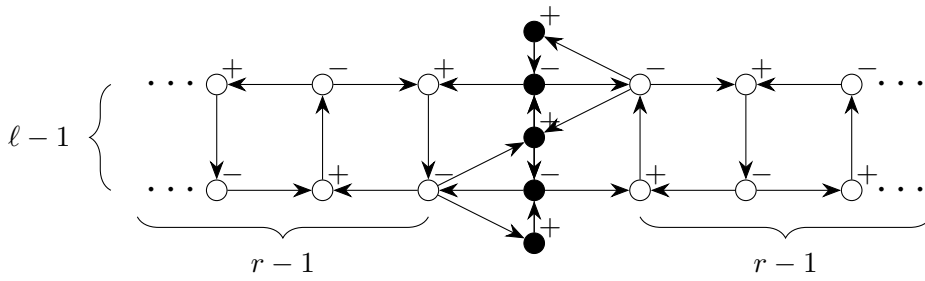
Type BCF

Next, we assume that $X = B, C$ or F .

We define $Q(B_r, \ell)$ as

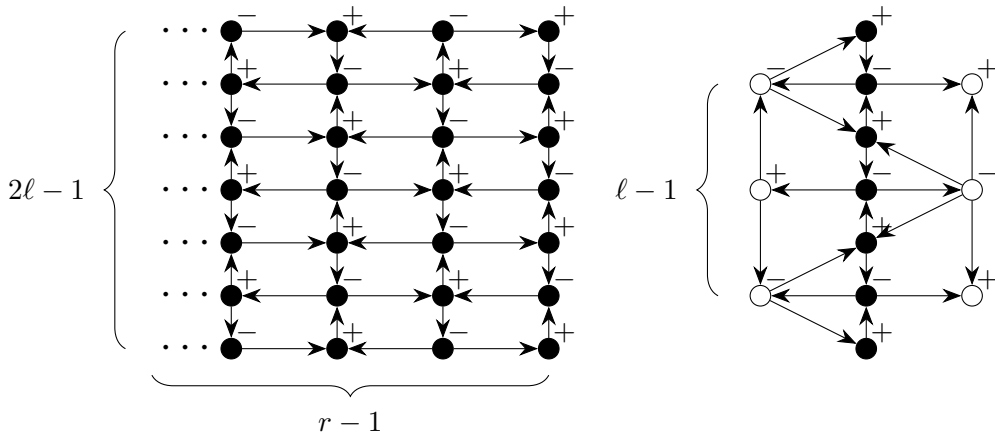


if ℓ is even, and

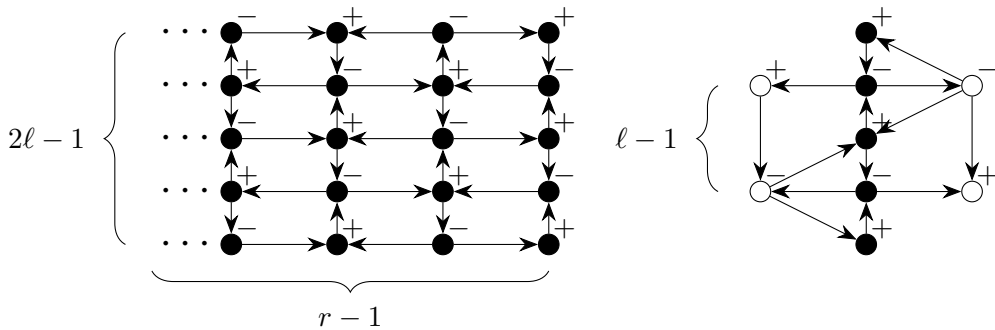


if ℓ is odd.

We define $Q(C_r, \ell)$ as

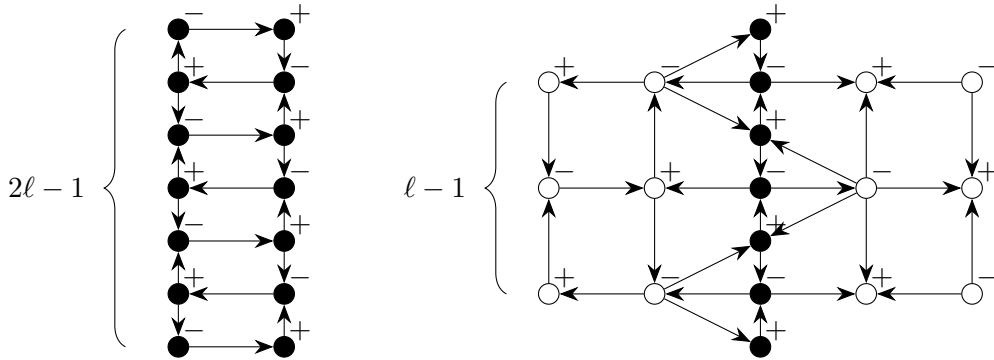


if ℓ is even, and

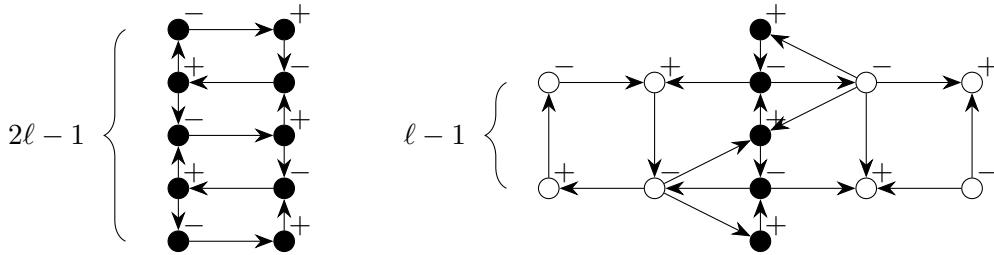


if ℓ is odd, where we identify the rightmost columns in the left quivers with the center columns in the right quivers.

We define $Q(F_4, \ell)$ as



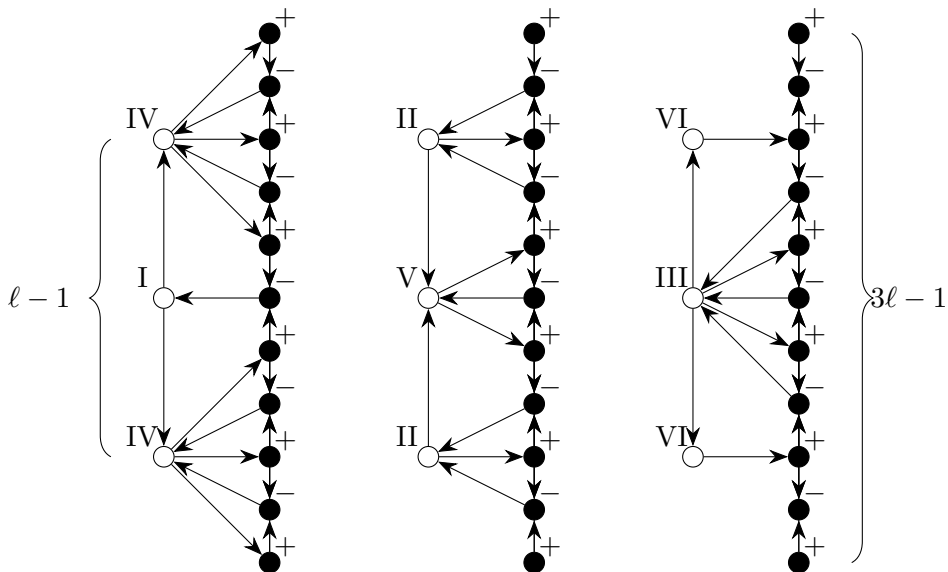
if ℓ is even, and



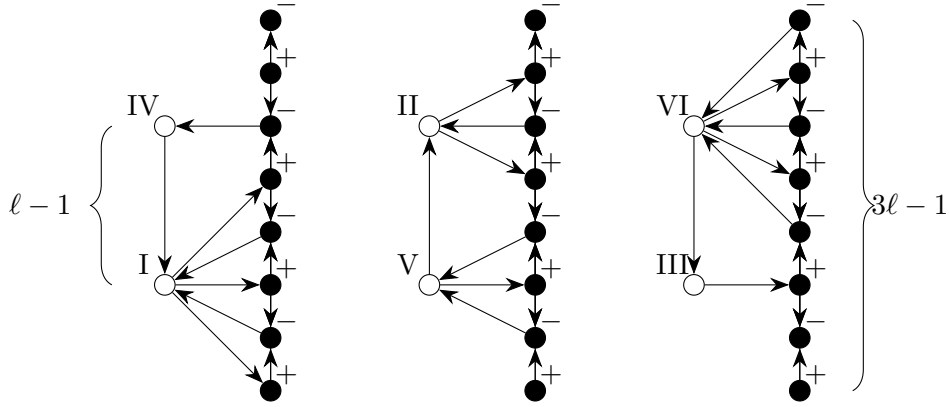
if ℓ is odd, where we identify the rightmost columns in the left quivers with the center columns in the right quivers.

Type G

Finally, we assume that $X_r = G_2$. We define $Q(G_2, \ell)$ as



if ℓ is even, and



if ℓ is odd, where we identify the three columns consisting of filled vertices.

3.3 Mutation loop on $Q(X_r, \ell)$

In this section, we define a mutation loop $\gamma(X_r, \ell)$ on the quiver $Q(X_r, \ell)$.

Type *ADE*

First, we assume that X_r is simply laced, that is, $X = A, D$ or E . Let \mathbf{I} be the set of the vertices in $Q(X_r, \ell)$, and \mathbf{I}_+ and \mathbf{I}_- be the subsets of \mathbf{I} consisting of the vertices labeled with $+$ and $-$, respectively. We define the following two compositions of mutations:

$$\mu_+ = \prod_{m \in \mathbf{I}_+} \mu_m, \quad \mu_- = \prod_{m \in \mathbf{I}_-} \mu_m.$$

We can easily verify the following lemma.

Lemma 3.1. *Let $Q = Q(X_r, \ell)$. Consider the following transitions of quivers:*

$$Q \xrightarrow{\mu_+} Q' \xrightarrow{\mu_-} Q''.$$

Then Q' and Q'' do not depend on orders of the mutations in μ_+ and μ_- . Furthermore, we have $Q = Q''$.

Thus

$$\gamma(X_r, \ell) := ((\mathbf{I}_+, \mathbf{I}_-), \text{id})$$

is a mutation loop, where \mathbf{I}_+ and \mathbf{I}_- in this equation mean any sequence in which all the elements in \mathbf{I}_+ and \mathbf{I}_- , respectively, appear exactly once.

Type *BCF*

Next, we assume that $X = B, C$ or F . Let \mathbf{I} be the set of the vertices in $Q(X_r, \ell)$, and \mathbf{I}_+^\bullet , \mathbf{I}_-^\bullet , \mathbf{I}_+° and \mathbf{I}_-° be the subsets of \mathbf{I} consisting of the vertices labeled with $(+, \bullet)$, $(-, \bullet)$, $(+, \circ)$ and $(-, \circ)$, respectively. We define the following two compositions of mutations:

$$\mu_+^\bullet \mu_+^\circ = \prod_{m \in \mathbf{I}_+^\bullet \sqcup \mathbf{I}_+^\circ} \mu_m, \quad \mu_-^\bullet = \prod_{m \in \mathbf{I}_-^\bullet} \mu_m.$$

Let ν be the permutation of vertices in $Q(X_r, \ell)$ that is identity on the filled vertices, and left-right reflection on the unfilled vertices.

Lemma 3.2 ([12, 13]). *Let $Q = Q(X_r, \ell)$. Consider the following transitions of quivers:*

$$Q \xrightarrow{\mu_+^\bullet \mu_+^\circ} Q' \xrightarrow{\mu_-^\bullet} Q''.$$

Then Q' and Q'' do not depend on orders of the mutations in $\mu_+^\bullet \mu_+^\circ$ and μ_-^\bullet . Furthermore, we have $Q = \nu(Q'')$.

Thus

$$\gamma(X_r, \ell) := ((\mathbf{I}_+^\bullet \sqcup \mathbf{I}_+^\circ, \mathbf{I}_-^\bullet), \nu)$$

is a mutation loop, where $\mathbf{I}_+^\bullet \sqcup \mathbf{I}_+^\circ$ and \mathbf{I}_-^\bullet in this equation mean any sequence in which all the elements in $\mathbf{I}_+^\bullet \sqcup \mathbf{I}_+^\circ$ and \mathbf{I}_-^\bullet , respectively, appear exactly once.

Type G

Next, we assume that $X = G$. Let \mathbf{I} be the set of the vertices in $Q(G_2, \ell)$. Let $\mathbf{I}_+^\bullet, \mathbf{I}_-^\bullet$ be the subsets of \mathbf{I} consisting of the vertices labeled with $(+, \bullet)$ and $(-, \bullet)$ respectively, and let $\mathbf{I}_1^\circ, \dots, \mathbf{I}_{VI}^\circ$ be the subsets of \mathbf{I} consisting of the vertices labeled with $(I, \circ), \dots, (VI, \circ)$, respectively. We define the following two compositions of mutations:

$$\mu_+^\bullet \mu_1^\circ = \prod_{m \in \mathbf{I}_+^\bullet \sqcup \mathbf{I}_1^\circ} \mu_m, \quad \mu_-^\bullet \mu_{II}^\circ = \prod_{m \in \mathbf{I}_-^\bullet \sqcup \mathbf{I}_{II}^\circ} \mu_m.$$

We choose indices of vertices in $Q(G_2, \ell)$ to be

$$\{(a, i) \mid a = 1, 2, 3, i = 1, \dots, \ell - 1\} \cup \{(4, i) \mid i = 1, \dots, 3\ell - 1\},$$

so that (a, i) is the i -th row (from the bottom) vertex in the a -th quiver (from the left). Let ν be the permutation of the vertices in $Q(G_2, \ell)$ that is the identity on the filled vertices, that is, $\nu(4, i) = (4, i)$ for all i , and acts on the unfilled vertices as

$$\begin{aligned} \nu(1, i) &= (2, i), \\ \nu(2, i) &= (3, i), \\ \nu(3, i) &= (1, i), \end{aligned}$$

for all i .

Lemma 3.3 ([13]). *Let $Q = Q(G_2, \ell)$. Consider the following transitions of quivers:*

$$Q \xrightarrow{\mu_+^\bullet \mu_1^\circ} Q' \xrightarrow{\mu_-^\bullet \mu_{II}^\circ} Q''.$$

Then Q' and Q'' do not depend on orders of the mutations in $\mu_+^\bullet \mu_1^\circ$ and $\mu_-^\bullet \mu_{II}^\circ$. Furthermore, we have $Q = \nu(Q'')$.

Thus

$$\gamma(G_2, \ell) := ((\mathbf{I}_+^\bullet \sqcup \mathbf{I}_1^\circ, \mathbf{I}_-^\bullet \sqcup \mathbf{I}_{II}^\circ), \nu)$$

is a mutation loop, where $\mathbf{I}_+^\bullet \sqcup \mathbf{I}_1^\circ$ and $\mathbf{I}_-^\bullet \sqcup \mathbf{I}_{II}^\circ$ in this equation mean any sequence in which all the elements in $\mathbf{I}_+^\bullet \sqcup \mathbf{I}_1^\circ$ and $\mathbf{I}_-^\bullet \sqcup \mathbf{I}_{II}^\circ$, respectively, appear exactly once.

3.4 Periodicity

As above, we have defined quiver $Q(X_r, \ell)$ and the mutation loop $\gamma(X_r, \ell)$ for any pair (X_r, ℓ) . The following lemma follows from these definitions.

Lemma 3.4. *The mutation loop $\gamma(X_r, \ell)$ is regular.*

A remarkable fact, as stated in the beginning of Section 3.2, is that these mutation loops have periodicity.

Theorem 3.5 ([12, 13, 18]). *Let $\gamma = \gamma(X_r, \ell)$. Then the following holds:*

$$\underbrace{\mu_\gamma \circ \mu_\gamma \circ \cdots \circ \mu_\gamma}_{t(\ell+h^\vee)}(y) = y,$$

where h^\vee is the dual Coxeter number of X_r (see (3.2) for the list of dual Coxeter numbers), and t is given by (3.1).

3.5 Exponents of $Q(X_r, \ell)$

First, we see that the rational function μ_γ for the mutation loop $\gamma = \gamma(X_r, \ell)$ satisfies the following property.

Proposition 3.6. *The fixed point equation $\mu_\gamma(y) = y$ has a unique positive real solution.*

This lemma will be proved in Section 5.3 (see Corollary 5.16). This positive real solution is denoted by $\eta \in (\mathbb{R}_{>0})^{\mathbf{I}}$.

Let $J(y)$ be the Jacobian matrix of the rational function μ_γ :

$$J_\gamma(y) := \left(\frac{\partial \mu_i}{\partial y_j}(y) \right)_{i,j \in \mathbf{I}},$$

where μ_i is the i -th components of μ_γ . Then Theorem 3.5 implies that the $t(\ell + h^\vee)$ -th power of $J_\gamma(\eta)$ is the identity matrix:

$$J_\gamma(\eta)^{t(\ell+h^\vee)} = I.$$

Thus all the eigenvalues of $J_\gamma(\eta)$ are $t(\ell + h^\vee)$ -th root of unities. These eigenvalues can be written as

$$e^{\frac{2\pi i m_1}{t(\ell+h^\vee)}}, e^{\frac{2\pi i m_2}{t(\ell+h^\vee)}}, \dots, e^{\frac{2\pi i m_{|\mathbf{I}|}}{t(\ell+h^\vee)}},$$

using a sequence of integers $0 \leq m_1 \leq m_2 \leq \cdots \leq m_{|\mathbf{I}|} < t(\ell + h^\vee)$. We say that this sequence $m_1, \dots, m_{|\mathbf{I}|}$ is the *exponents* of $Q(X_r, \ell)$.

Example 3.7. Let $(X_r, \ell) = (A_1, 4)$. In this case, the index set of the quiver is given by $\mathbf{I} = I \times I' = \{(1, 1), (1, 2), (1, 3)\}$. We choose bipartite decompositions of $I = \{1\}$ and $I' = \{1, 2, 3\}$ as $I = I_+ \sqcup I_- = \{\} \sqcup \{1\}$ and $I' = I'_+ \sqcup I'_- = \{1, 3\} \sqcup \{2\}$, respectively. Then we obtain the decomposition $\mathbf{I} = \mathbf{I}_+ \sqcup \mathbf{I}_- = \{(1, 2)\} \sqcup \{(1, 1), (1, 3)\}$, and the mutation loop $\gamma(A_1, 4)$ is given in Fig. 2, where we simply write $(1, i')$ as i' in the figure.

The cluster transformation is now given by

$$\begin{aligned} \mu_1 &= y_1^{-1} y_2^{-1} (y_2 + 1), & \mu_2 &= y_1 y_2 y_3 (y_1 y_2 + y_2 + 1)^{-1} (y_2 y_3 + y_2 + 1)^{-1}, \\ \mu_3 &= y_2^{-1} y_3^{-1} (y_2 + 1), \end{aligned}$$

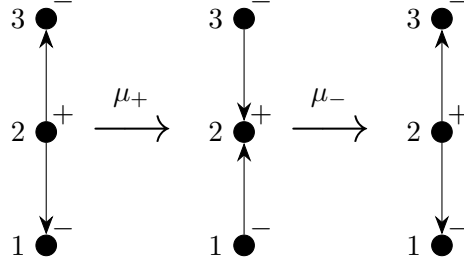


Figure 2. The mutation loop $\gamma(A_1, 4)$.

where μ_i is the i -th component of $\mu_\gamma(y_1, y_2, y_3)$. We can directly verify that $\eta = (2, 1/3, 2)$ is the positive real solution of $\mu_i = y_i$ ($i = 1, 2, 3$).

Although the matrix $J_\gamma(y)$ is a little complicated to write down directly, we can see that the matrix $L(y)$ defined by $L(y) = \text{diag}(\mu_1, \mu_2, \mu_3)^{-1} J_\gamma(y) \text{diag}(y_1, y_2, y_3)$ can be written as a product of two simple matrices as follows:

$$L(y) = \begin{pmatrix} -1 & 0 & 0 \\ \frac{y_2 + 1}{y_1 y_2 + y_2 + 1} & 1 & \frac{y_2 + 1}{y_2 y_3 + y_2 + 1} \\ 0 & 0 & -1 \end{pmatrix} \begin{pmatrix} 1 & \frac{1}{y_2 + 1} & 0 \\ 0 & -1 & 0 \\ 0 & \frac{1}{y_2 + 1} & 1 \end{pmatrix}.$$

By substituting η , we obtain

$$L(\eta) = \begin{pmatrix} -1 & 0 & 0 \\ \frac{2}{3} & 1 & \frac{2}{3} \\ 0 & 0 & -1 \end{pmatrix} \begin{pmatrix} 1 & \frac{3}{4} & 0 \\ 0 & -1 & 0 \\ 0 & \frac{3}{4} & 1 \end{pmatrix} = \begin{pmatrix} -1 & -\frac{3}{4} & 0 \\ \frac{2}{3} & 0 & \frac{2}{3} \\ 0 & -\frac{3}{4} & -1 \end{pmatrix},$$

and

$$\begin{aligned} \det(xI_3 - J_\gamma(\eta)) &= \det(xI_3 - L(\eta)) = x^3 + 2x^2 + 2x + 1 \\ &= (x - e^{\frac{2\pi i \cdot 2}{6}})(x - e^{\frac{2\pi i \cdot 3}{6}})(x - e^{\frac{2\pi i \cdot 4}{6}}). \end{aligned}$$

Thus the exponents of $Q(A_1, 4)$ are 2, 3, 4.

3.6 Conjecture on exponents

We give a conjectural formula on exponents in terms of root systems. We define two polynomials $N_{X_r, \ell}(x)$ and $D_{X_r, \ell}(x)$ by

$$N_{X_r, \ell}(x) = \prod_{a=1}^r \frac{x^{t(\ell+h^\vee)} - 1}{x^{t/t_a} - 1}, \quad D_{X_r, \ell}(x) = D_{X_r, \ell}^{\text{long}}(x) D_{X_r, \ell}^{\text{short}}(x),$$

where the polynomials $D_{X_r, \ell}^{\text{long}}(x)$ and $D_{X_r, \ell}^{\text{short}}(x)$ are defined by

$$D_{X_r, \ell}^{\text{long}}(x) = \prod_{\alpha \in \Delta^{\text{long}}} (x^t - e^{\frac{2\pi i(\rho|\alpha)}{\ell+h^\vee}}), \quad D_{X_r, \ell}^{\text{short}}(x) = \prod_{\alpha \in \Delta^{\text{short}}} (x - e^{\frac{2\pi i(\rho|\alpha)}{\ell+h^\vee}}).$$

When $X = A, D$ or E , the polynomials $N_{X_r, \ell}(x)$ and $D_{X_r, \ell}(x)$ can be written more simply:

$$N_{X_r, \ell}(x) = \left(\frac{x^{\ell+h^\vee} - 1}{x - 1} \right)^r, \quad D_{X_r, \ell}(x) = \prod_{\alpha \in \Delta} (x - e^{\frac{2\pi i(\rho|\alpha)}{\ell+h^\vee}}).$$

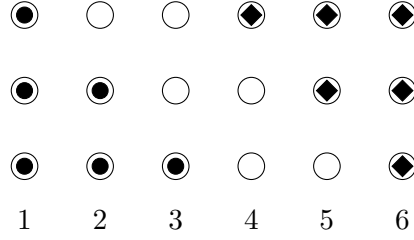


Figure 3. The underlying white circles represent the exponents of $N_{A_3,3}(x)$, and the black marks represent the exponents of $D_{A_3,3}(x)$. The number of vertices in a same vertical line is a multiplicity. Furthermore, the black circles and diamonds represent the exponents that come from the positive roots and the negative roots, respectively. The unmarked white circles represent the exponents of $N_{A_3,3}(x)/D_{A_3,3}(x)$.

Conjecture 3.8. Let X_r be a finite type Dynkin diagram, and ℓ be a positive integer such that $\ell \geq 2$. Let $\gamma = \gamma(X_r, \ell)$ be the mutation loop on the quiver $Q(X_r, \ell)$ defined in Section 3.3. Then the following identity holds for the characteristic polynomial of $J_\gamma(\eta)$:

$$\det(xI - J_\gamma(\eta)) = \frac{N_{X_r, \ell}(x)}{D_{X_r, \ell}(x)}. \quad (3.3)$$

Theorem 3.9. Conjecture 3.8 is true in the following cases:

- 1) (A_1, ℓ) for all $\ell \geq 2$,
- 2) $(A_r, 2)$ for all $r \geq 1$.

We will prove Theorem 3.9 in Section 4.1.

3.7 Examples

In this section, we give examples of calculations on the right-hand side in the conjectural formula (3.3).

Let $F(x)$ be a polynomial whose roots are all N -th roots of unity. The roots of $F(x)$ can be written as

$$e^{2\pi i m_1/N}, e^{2\pi i m_2/N}, \dots, e^{2\pi i m_n/N},$$

where $0 \leq m_1 \leq m_2 \leq \dots \leq m_n < N$ is a sequence of integers. We call this sequence of integers the exponents of $F(x)$. The exponents of $F(x)$ is denoted by $\mathcal{E}(F(x))$.

Example 3.10. Let $(X_r, \ell) = (A_3, 3)$. The dual Coxeter number is given by $h^\vee = 4$, so $\ell + h^\vee = 7$. Therefore, the exponents of $N_{A_3,3}(x)$ is given by

$$\mathcal{E}(N_{A_3,3}(x)) = (1, 1, 1, 2, 2, 2, 3, 3, 3, 4, 4, 4, 5, 5, 5, 6, 6, 6).$$

On the other hand, by calculation on the root system of type A_3 , we obtain

$$\mathcal{E}(D_{A_3,3}(x)) = (1, 1, 1, 2, 2, 3, 4, 5, 5, 6, 6, 6).$$

As the result, the exponents of $N_{A_3,3}(x)/D_{A_3,3}(x)$ are given by

$$\mathcal{E}\left(\frac{N_{A_3,3}(x)}{D_{A_3,3}(x)}\right) = (2, 3, 3, 4, 4, 5).$$

Fig. 3 illustrates these exponents.

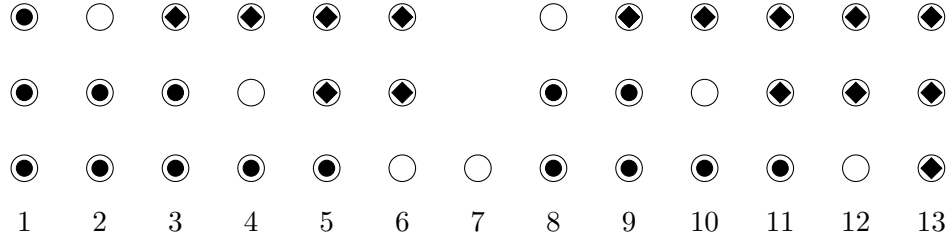


Figure 4. The exponents of $N_{B_3,2}(x)$ and $D_{B_3,2}(x)$. The meanings of the symbols are the same as in Fig. 3.

Example 3.11. Let $(X_r, \ell) = (B_3, 2)$. The dual Coxeter number is given by $h^\vee = 5$, so $t(\ell + h^\vee) = 14$. Therefore, the exponents of $N_{B_3,2}(x)$ is given by

$$\mathcal{E}(N_{B_3,2}(x)) = (1, 1, 1, 2, 2, 2, 3, 3, 3, 4, 4, 4, 5, 5, 5, 6, 6, 6, 7, 8, 8, 8, 9, 9, 9, 10, 10, 10, 11, 11, 11, 12, 12, 12, 13, 13, 13).$$

On the other hand, by calculation on the root system of type B_3 , we obtain

$$\begin{aligned} \mathcal{E}(D_{B_3,2}^{\text{long}}(x)) &= (1, 1, 2, 2, 3, 3, 4, 4, 5, 5, 6, 6, 8, 8, 9, 9, 10, 10, 11, 11, 12, 12, 13, 13), \\ \mathcal{E}(D_{B_3,2}^{\text{short}}(x)) &= (1, 3, 5, 9, 11, 13). \end{aligned}$$

As the result, the exponents of $N_{B_3,2}(x)/D_{B_3,2}(x)$ are given by

$$\mathcal{E}\left(\frac{N_{B_3,2}(x)}{D_{B_3,2}(x)}\right) = (2, 4, 6, 7, 8, 10, 12).$$

Fig. 4 illustrates these exponents.

4 Proofs of Theorem 3.9

4.1 (A_1, ℓ) case

Let ℓ be an integer with $\ell \geq 2$. In this section we consider the mutation loop $\gamma = \gamma(A_1, \ell)$.

Let $\mathbf{I} = \{1, \dots, \ell - 1\}$ denotes the vertices in $Q(A_1, \ell)$. Let us fix a bipartite decomposition $\mathbf{I} = \mathbf{I}_+ \sqcup \mathbf{I}_-$. For example, Fig. 2 shows the mutation loop $\gamma(A_1, 4)$.

Lemma 4.1. *The right-hand side of (3.3) is given by*

$$\frac{N_{A_1, \ell}(x)}{D_{A_1, \ell}(x)} = \prod_{a=2}^{\ell} (x - e^{\frac{2\pi i a}{\ell+2}}).$$

Proof. First note that the dual Coxeter number of A_1 is given by $h^\vee = 2$. Then, the lemma follows from

$$N_{A_1, \ell}(x) = \frac{x^{\ell+2} - 1}{x - 1},$$

and

$$D_{A_1, \ell}(x) = (x - e^{\frac{2\pi i}{\ell+2}})(x - e^{\frac{-2\pi i}{\ell+2}}) = (x - e^{\frac{2\pi i}{\ell+2}})(x - e^{\frac{2\pi i(\ell+1)}{\ell+2}}). \quad \blacksquare$$

Therefore, what we have to show is that the exponents of $Q(A_1, \ell)$ are $2, 3, \dots, \ell$. To prove this, we define the matrix $L(y)$ by

$$L(y) = \begin{pmatrix} \mu_1(y) & & \\ & \ddots & \\ & & \mu_{\ell-1}(y) \end{pmatrix}^{-1} J_\gamma(y) \begin{pmatrix} y_1 & & \\ & \ddots & \\ & & y_{\ell-1} \end{pmatrix},$$

where μ_i is the i -th component of μ_γ . The matrices $J_\gamma(\eta)$ and $L(\eta)$ have the same characteristic polynomial because $\mu(\eta) = \eta$. We will find the eigenvalues of $L(\eta)$ instead of $J_\gamma(\eta)$.

Let $\zeta = e^{\pi i/(\ell+2)}$. For $m = 1, 2, \dots, \ell - 1$, we define non-zero real numbers

$$z_m = \frac{\sin \frac{\pi m}{\ell+2} \sin \frac{\pi(m+2)}{\ell+2}}{\sin^2 \frac{\pi(m+1)}{\ell+2}} = \frac{(\zeta^m - \zeta^{-m})(\zeta^{m+2} - \zeta^{-m-2})}{(\zeta^{m+1} - \zeta^{-m-1})^2}. \quad (4.1)$$

We define the two matrices $L_+ = (L_+^{mk})_{m,k=1,\dots,\ell-1}$ and $L_- = (L_-^{mk})_{m,k=1,\dots,\ell-1}$ by

$$L_\pm^{mk} = \begin{cases} \delta_{mk} & \text{if } k \in \mathbf{I}_\mp, \\ -\delta_{mk} + z_k(\delta_{m,k-1} + \delta_{m,k+1}) & \text{if } k \in \mathbf{I}_\pm, \end{cases}$$

where δ is the Kronecker delta.

Lemma 4.2. *The matrix $L(\eta)$ is expressed as*

$$L(\eta) = L_- L_+.$$

Proof. Let

$$(Q, y) \xrightarrow{\mu_+} (Q', y') \xrightarrow{\mu_-} (Q'', y'')$$

be the Y -seed transitions associated with γ . Then the chain rule for Jacobian matrices implies that

$$L(y) = L_-(y')L_+(y),$$

where $L_\pm(Y)$ for $Y \in (\mathcal{F}_{\text{sf}})^{\ell-1}$ is the $(\ell - 1) \times (\ell - 1)$ matrices defined by

$$L_\pm^{mk}(Y) = \begin{cases} \delta_{mk} & \text{if } k \in \mathbf{I}_\mp, \\ -\delta_{mk} + \frac{1}{1 + Y_k}(\delta_{m,k-1} + \delta_{m,k+1}) & \text{if } k \in \mathbf{I}_\pm. \end{cases}$$

Let $\tilde{\eta}$ be the $(\ell - 1)$ -tuple of real numbers such that its m -th entry is η if $m \in \mathbf{I}_+$ and is $y'|_{y=\eta}$ if $m \in \mathbf{I}_-$. The following explicit expression of $\tilde{\eta}$ is known (see [23, Example 5.3] for example):

$$\tilde{\eta}_m = \frac{\sin^2 \frac{\pi}{\ell+2}}{\sin \frac{\pi m}{\ell+2} \sin \frac{\pi(m+2)}{\ell+2}}.$$

We can easily check that $z_m = 1/(1 + \tilde{\eta}_m)$, and this complete the proof. \blacksquare

For any non-zero complex number λ , we consider the following difference equation of the numbers $(\phi_m)_{0 \leq m \leq \ell}$:

$$\phi_{m-1} + \phi_{m+1} = \phi_m z_m^{-1} (\lambda + \lambda^{-1}) \quad (4.2)$$

with the boundary conditions given by

$$\phi_0 = \phi_\ell = 0. \quad (4.3)$$

Lemma 4.3. *Let $(\phi_m)_{0 \leq m \leq \ell}$ be a non-zero solution of the difference equation (4.2) satisfying the boundary conditions (4.3). Then the vector*

$$\psi = \begin{pmatrix} \psi_1 \\ \vdots \\ \psi_{\ell-1} \end{pmatrix}$$

defined by

$$\psi_m = \begin{cases} \lambda \phi_m & \text{if } m \in \mathbf{I}_+, \\ \phi_m & \text{if } m \in \mathbf{I}_-, \end{cases}$$

is an eigenvector of the transpose matrix of $L(\eta)$ with an eigenvalue λ^2 , that is,

$$L(\eta)^\top \psi = \lambda^2 \psi.$$

Proof. Let $\psi' = L_-^\top \psi$ and $\psi'' = L_+^\top \psi' (=L(\eta)^\top \psi)$. In the following equations, we assume that $\psi_0 = \psi_\ell = \psi'_0 = \psi'_\ell = 0$. Then we obtain

$$\psi'_m = \begin{cases} \psi_m & \text{if } m \in \mathbf{I}_+, \\ -\psi_m + z_m(\psi_{m-1} + \psi_{m+1}) & \text{if } m \in \mathbf{I}_-, \end{cases}$$

and

$$\psi''_m = \begin{cases} -\psi'_m + z_m(\psi'_{m-1} + \psi'_{m+1}) & \text{if } m \in \mathbf{I}_+, \\ \psi'_m & \text{if } m \in \mathbf{I}_-. \end{cases}$$

For any $m \in \mathbf{I}_-$, we compute

$$\begin{aligned} \psi''_m - \lambda^2 \psi_m &= \psi'_m - \lambda^2 \psi_m = -\psi_m + z_m(\psi_{m-1} + \psi_{m+1}) - \lambda^2 \psi_m \\ &= -\phi_m + z_m \lambda (\phi_{m-1} + \phi_{m+1}) - \lambda^2 \phi_m \\ &= z_m \lambda (-z_m^{-1} (\lambda + \lambda^{-1}) \phi_m + \phi_{m-1} + \phi_{m+1}) = 0. \end{aligned}$$

In particular, we obtain $\psi'_m = \lambda^2 \psi_m$ for $m \in \mathbf{I}_-$. Thus, for any $m \in \mathbf{I}_+$, we find that

$$\begin{aligned} \psi''_m - \lambda^2 \psi_m &= -\psi'_m + z_m(\psi'_{m-1} + \psi'_{m+1}) - \lambda^2 \psi_m = -\psi_m + z_m \lambda^2 (\psi_{m-1} + \psi_{m+1}) - \lambda^2 \psi_m \\ &= -\lambda \phi_m + z_m \lambda^2 (\phi_{m-1} + \phi_{m+1}) - \lambda^3 \phi_m \\ &= z_m \lambda^2 (-z_m^{-1} (\lambda + \lambda^{-1}) \phi_m + \phi_{m-1} + \phi_{m+1}) = 0, \end{aligned}$$

and this complete the proof. ■

Now we focus on solving the difference equation (4.2) satisfying the boundary conditions (4.3). We will show that $(\phi_m^{(a)})_{m=0, \dots, \ell}$ for

$$\phi_m^{(a)} = \det \begin{pmatrix} 2 \cos \frac{\pi a}{\ell+2} & 2 \cos \frac{\pi a(m+1)}{\ell+2} \\ \sin \frac{\pi(a-1)}{\ell+2} / \sin \frac{\pi}{\ell+2} & \sin \frac{\pi(a-1)(m+1)}{\ell+2} / \sin \frac{\pi(m+1)}{\ell+2} \end{pmatrix} \quad (4.4)$$

is a non-zero solution of (4.2) and (4.3) for $\lambda = \zeta^a$ if $a = 2, \dots, \ell$ (Theorem 4.7).

To prove this, we introduce the following Laurent polynomials:

$$\alpha^{(a)}(x) = x^a + x^{-a}, \quad \beta^{(a)}(x) = \frac{x^{a-1} - x^{-a+1}}{x - x^{-1}}.$$

We write $\alpha^{(a)}(x^{m+1})$ and $\beta^{(a)}(x^{m+1})$ as $\alpha_m^{(a)}(x)$ and $\beta_m^{(a)}(x)$. We also define a Laurent polynomial $P_m^{(a)}(x)$ by

$$P_m^{(a)}(x) = \det \begin{pmatrix} \alpha_0^{(a)}(x) & \alpha_m^{(a)}(x) \\ \beta_0^{(a)}(x) & \beta_m^{(a)}(x) \end{pmatrix}.$$

Note that $\phi_m^{(a)}$ in (4.4) can be written as $P_m^{(a)}(\zeta)$.

Let us examine difference equations for $\alpha_m^{(a)}(x)$, $\beta_m^{(a)}(x)$ and $P_m^{(a)}(x)$.

Lemma 4.4. *The Laurent polynomials $\alpha_m^{(a)}(x)$ satisfy the difference equation*

$$\alpha_{m-1}^{(a)}(x) + \alpha_{m+1}^{(a)}(x) = \alpha_0^{(a)}(x)\alpha_m^{(a)}(x). \quad (4.5)$$

Proof. We compute

$$\begin{aligned} \alpha_{m-1}^{(a)} + \alpha_{m+1}^{(a)}(x) &= (x^{am} + x^{-am}) + (x^{a(m+2)} + x^{-a(m+2)}) \\ &= (x^a + x^{-a})(x^{a(m+1)} + x^{-a(m+1)}) = \alpha_0^{(a)}(x)\alpha_m^{(a)}(x), \end{aligned}$$

and this proves the lemma. ■

Lemma 4.5. *The Laurent polynomials $\beta_m^{(a)}(x)$ satisfy the difference equation*

$$\begin{aligned} (\beta_{m-1}^{(a)}(x) + \beta_{m+1}^{(a)}(x))(x^m - x^{-m})(x^{m+2} - x^{-m-2}) \\ = \alpha_0^{(a)}(x)\beta_m^{(a)}(x)(x^{m+1} - x^{-m-1})^2 - \alpha_m^{(a)}(x)\beta_0^{(a)}(x)(x - x^{-1})^2. \end{aligned} \quad (4.6)$$

Proof. We compute

$$\begin{aligned} &(\beta_{m-1}^{(a)}(x) + \beta_{m+1}^{(a)}(x))(x^m - x^{-m})(x^{m+2} - x^{-m-2}) - \alpha_0^{(a)}(x)\beta_m^{(a)}(x)(x^{m+1} - x^{-m-1})^2 \\ &= (x^{(a-1)m} - x^{-(a-1)m})(x^{m+2} - x^{-m-2}) \\ &\quad + (x^{(a-1)(m+2)} - x^{-(a-1)(m+2)})(x^m - x^{-m}) \\ &\quad - \alpha_0^{(a)}(x)(x^{(a-1)m} - x^{-(a-1)m})(x^{m+1} - x^{-m-1}) \\ &= (x^{am+2} + x^{-am-2} - x^{am-2m-2} - x^{-am+2m+2}) \\ &\quad + (x^{a(m+2)-2} + x^{-a(m+2)+2} - x^{a(m+2)-2m-2} - x^{-a(m+2)+2m+2}) \\ &\quad - (x^{a(m+2)} + x^{am} - x^{-am+2m+2} - x^{-a(m+2)+2m+2} \\ &\quad - x^{a(m+2)-2m-2} - x^{am-2m-2} + x^{-am} + x^{-a(m+2)}) \\ &= x^{am+2} + x^{-am-2} + x^{a(m+2)-2} + x^{-a(m+2)+2} - x^{am} - x^{-am} - x^{a(m+2)} - x^{-a(m+2)} \\ &= (x - x^{-1})(x^{am+1} - x^{-am-1} + x^{a(m+2)-1} - x^{-a(m+2)+1}) \\ &= -(x - x^{-1})(x^{a(m+1)} + x^{-a(m+1)})(x^{a-1} - x^{-a+1}) \\ &= -\alpha_m^{(a)}(x)\beta_0^{(a)}(x)(x - x^{-1})^2, \end{aligned}$$

and this proves the lemma. ■

Lemma 4.6. *The Laurent polynomials $P_m^{(a)}(x)$ satisfy the difference equation*

$$(P_{m-1}^{(a)}(x) + P_{m+1}^{(a)}(x))(x^m - x^{-m})(x^{m+2} - x^{-m-2}) = P_m^{(a)}(x)\alpha_0^{(a)}(x)(x^{m+1} - x^{-m-1})^2.$$

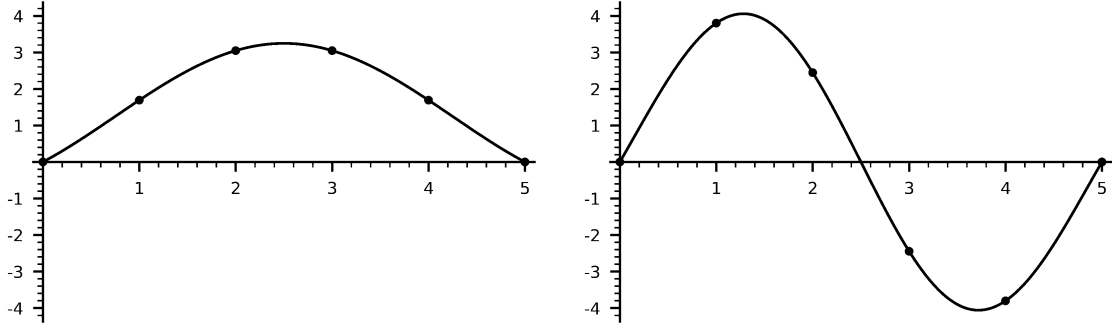


Figure 5. The values of $(\phi_m^{(2)})_{m=0,\dots,\ell}$ and $(\phi_m^{(3)})_{m=0,\dots,\ell}$ for $\ell = 5$.

Proof. By using (4.5), (4.6) and the relation

$$(x^{m+1} - x^{-m+1})^2 - (x - x^{-1})^2 = (x^m - x^{-m})(x^{m+2} - x^{-m-2}),$$

we obtain

$$\begin{aligned} & P_m^{(a)}(x)\alpha_0^{(a)}(x)(x^{m+1} - x^{-m-1})^2 \\ &= (\alpha_0^{(a)}(x)\beta_m^{(a)}(x) - \alpha_m^{(a)}(x)\beta_0^{(a)}(x))\alpha_0^{(a)}(x)(x^{m+1} - x^{-m-1})^2 \\ &= \alpha_0^{(a)}(x)((\beta_{m-1}^{(a)}(x) + \beta_{m+1}^{(a)}(x))(x^m - x^{-m})(x^{m+2} - x^{-m-2}) \\ &\quad + \alpha_m^{(a)}(x)\beta_0^{(a)}(x)(x - x^{-1})^2) - \alpha_0^{(a)}(x)\alpha_m^{(a)}(x)\beta_0^{(a)}(x)(x^{m+1} - x^{-m-1})^2 \\ &= \alpha_0^{(a)}(x)(\beta_{m-1}^{(a)}(x) + \beta_{m+1}^{(a)}(x))(x^m - x^{-m})(x^{m+2} - x^{-m-2}) \\ &\quad - \alpha_0^{(a)}(x)\alpha_m^{(a)}(x)\beta_0^{(a)}(x)((x^{m+1} - x^{-m+1})^2 - (x - x^{-1})^2) \\ &= (\alpha_0^{(a)}(x)(\beta_{m-1}^{(a)}(x) + \beta_{m+1}^{(a)}(x)) - \alpha_0^{(a)}(x)\alpha_m^{(a)}(x)\beta_0^{(a)}(x)) \\ &\quad \times (x^m - x^{-m})(x^{m+2} - x^{-m-2}) \\ &= (\alpha_0^{(a)}(x)(\beta_{m-1}^{(a)}(x) + \beta_{m+1}^{(a)}(x)) - (\alpha_{m-1}^{(a)}(x) + \alpha_{m+1}^{(a)}(x))\beta_0^{(a)}(x)) \\ &\quad \times (x^m - x^{-m})(x^{m+2} - x^{-m-2}) \\ &= (P_{m-1}^{(a)}(x) + P_{m+1}^{(a)}(x))(x^m - x^{-m})(x^{m+2} - x^{-m-2}), \end{aligned}$$

completing the proof. ■

Using Lemma 4.6, we can construct non-zero solutions of the difference equation (4.2) satisfying the boundary conditions (4.3).

Theorem 4.7. For any $a = 2, 3, \dots, \ell$ and $m = 0, 1, \dots, \ell$, let $\phi_m^{(a)} = P_m^{(a)}(\zeta)$. Then the following properties hold:

1. The numbers $\{\phi_m^{(a)} \mid 0 \leq m \leq \ell\}$ satisfy the difference equation (4.2) for $\lambda = \zeta^a$.
2. The boundary conditions (4.3) hold, i.e., $\phi_0^{(a)} = \phi_\ell^{(a)} = 0$.
3. There exists m such that $\phi_m^{(a)} \neq 0$.

Proof. The property (1) follows from Lemma 4.6 and the definition of z_m (4.1). Now we prove the property (2). The definition of $P_m^{(a)}(x)$ immediately implies that $P_0^{(a)}(x) = 0$, hence $\phi_0^{(a)} = 0$. To prove $\phi_\ell^{(a)} = 0$, we define a Laurent polynomial $\tilde{P}^{(a)}(x, y)$ of two variables by

$$\tilde{P}^{(a)}(x, y) = \det \begin{pmatrix} \alpha^{(a)}(x) & \alpha^{(a)}(y) \\ \beta^{(a)}(x) & \beta^{(a)}(y) \end{pmatrix}.$$

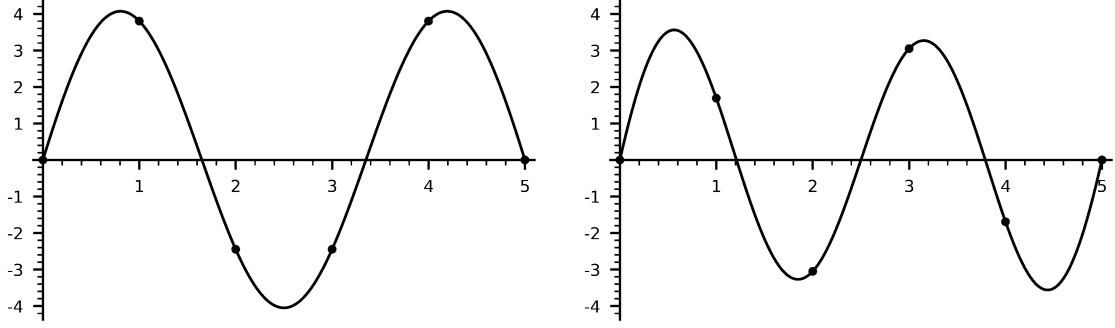


Figure 6. The values of $(\phi_m^{(4)})_{m=0,\dots,\ell}$ and $(\phi_m^{(5)})_{m=0,\dots,\ell}$ for $\ell = 5$.

It is easy to see that the polynomial $\tilde{P}^{(a)}(x, y)$ satisfies

$$\begin{aligned}\tilde{P}^{(a)}(x, x^{m+1}) &= P_m^{(a)}(x), \\ \tilde{P}^{(a)}(x, y^{-1}) &= \tilde{P}^{(a)}(x, y), \\ \tilde{P}^{(a)}(x, -y) &= (-1)^a \tilde{P}^{(a)}(x, y).\end{aligned}$$

Thus we have

$$\begin{aligned}\phi_\ell^{(a)} &= P_\ell^{(a)}(\zeta) = \tilde{P}^{(a)}(\zeta, \zeta^{\ell+1}) = \tilde{P}^{(a)}(\zeta, -\zeta^{-1}) \\ &= (-1)^a \tilde{P}^{(a)}(\zeta, \zeta^{-1}) = (-1)^a \tilde{P}^{(a)}(\zeta, \zeta) = 0.\end{aligned}$$

Now we prove the property (3). We will show that $\phi_1^{(a)} > 0$. The number $\phi_1^{(a)}$ can be written as

$$\begin{aligned}\phi_1^{(a)} &= \zeta^a + \zeta^{-a} \cdot \frac{\zeta^{2a-2} - \zeta^{-2a+2}}{\zeta^2 - \zeta^{-2}} - \zeta^{2a} + \zeta^{-2a} \cdot \frac{\zeta^{a-1} - \zeta^{-a+1}}{\zeta - \zeta^{-1}} \\ &= \frac{\zeta^{a-1} - \zeta^{-a+1}}{\zeta^2 - \zeta^{-2}} \left((\zeta^a + \zeta^{-a})(\zeta^{a-1} + \zeta^{-a+1}) - (\zeta^{2a} + \zeta^{-2a})(\zeta + \zeta^{-1}) \right) \\ &= \frac{\zeta^{a-1} - \zeta^{-a+1}}{\zeta^2 - \zeta^{-2}} \left((\zeta + \zeta^{-1}) - (\zeta^{2a+1} + \zeta^{-2a-1}) \right) \\ &= \sin \frac{(a-1)\pi}{\ell+2} \left(\sin \frac{2\pi}{\ell+2} \right)^{-1} \left(2 \cos \frac{\pi}{\ell+2} - 2 \cos \frac{(2a+1)\pi}{\ell+2} \right).\end{aligned}$$

This shows that $\phi_1^{(a)} > 0$ for $a = 2, 3, \dots, \ell$. ■

We plot the values of $(\phi_m^{(a)})_{m=0,\dots,\ell}$ for $\ell = 5$ and $a = 2, 3, 4, 5$ in Figs. 5 and 6. The underlying graphs are plots of the function

$$\det \begin{pmatrix} 2 \cos \frac{\pi a}{\ell+2} & 2 \cos \frac{\pi a(u+1)}{\ell+2} \\ \sin \frac{\pi(a-1)}{\ell+2} / \sin \frac{\pi}{\ell+2} & \sin \frac{\pi(a-1)(u+1)}{\ell+2} / \sin \frac{\pi(u+1)}{\ell+2} \end{pmatrix}$$

in an interval $0 \leq u \leq \ell$, and the points on these graphs represent the values of $(\phi_m^{(a)})_{m=0,\dots,\ell}$.

Corollary 4.8. *The exponents of $Q(A_1, \ell)$ are $2, 3, \dots, \ell$, that is,*

$$\det(xI - J_\gamma(\eta)) = \prod_{a=2}^{\ell} \left(x - e^{\frac{2\pi i a}{\ell+2}} \right).$$

In particular, Conjecture 3.8 is true in this case.

Proof. From Theorem 4.7, we find that $e^{\frac{2\pi ia}{\ell+2}}$ for $a = 2, 3, \dots, \ell$ are eigenvalues of $J_\gamma(\eta)$. These are all the eigenvalues and their multiplicities are one, since the size of $J_\gamma(\eta)$ is $\ell - 1$. ■

4.2 $(A_r, 2)$ case

First, we will see that the right-hand side of the conjectural formula (3.3) for $(A_r, 2)$ is the same as that for (A_1, ℓ) if we change the parameter as $r \leftrightarrow \ell - 1$. Such a phenomenon is known as the *level-rank duality*.

Lemma 4.9. *The right-hand side in (3.3) is given by*

$$\frac{N_{A_r, 2}(x)}{D_{A_r, 2}(x)} = \prod_{a=2}^{r+1} (x - e^{\frac{2\pi ia}{r+3}}).$$

Proof. Because $h^\vee = r + 1$, we obtain

$$N_{A_r, 2}(x) = \left(\frac{x^{r+3} - 1}{x - 1} \right)^r,$$

and

$$D_{A_r, 2}(x) = \prod_{\alpha \in \Delta} (x - e^{\frac{2\pi i(\rho|\alpha)}{r+3}}).$$

We can easily see that, say using a concrete realization of the root system of type A_r , the following holds:

$$\#\{\alpha \in \Delta_+ \mid (\rho|\alpha) = a\} = \begin{cases} r + 1 - a & \text{if } 1 \leq a \leq r + 1, \\ 0 & \text{if } a = r + 2. \end{cases}$$

Thus for any $1 \leq a \leq r + 2$, we obtain

$$\begin{aligned} & \#\{\alpha \in \Delta_+ \mid (\rho|\alpha) = a \pmod{r+3}\} \\ &= \#\{\alpha \in \Delta_+ \mid (\rho|\alpha) = a\} + \#\{\alpha \in \Delta_+ \mid (\rho|\alpha) = a - r - 3\} \\ &= \begin{cases} r & \text{if } a = 1, \\ r - 1 & \text{if } 2 \leq a \leq r + 1, \\ r & \text{if } a = r + 2, \end{cases} \end{aligned}$$

and this implies that

$$D_{A_r, 2}(x) \prod_{a=2}^{r+1} (x - e^{\frac{2\pi ia}{r+3}}) = N_{A_r, 2}(x),$$

completing the proof. Fig. 7 illustrates these calculations. ■

We now complete the proof of Theorem 3.9.

Corollary 4.10. *Conjecture 3.8 is true for $(A_r, 2)$.*

Proof. When we choose suitable bipartite decompositions, the mutation loop $\gamma = \gamma(A_r, 2)$ is obtained from the mutation loop $\gamma' = \gamma(A_1, r + 1)$ by reversing all arrows in quivers. This implies that their cluster transformations are related by $\mu_{\gamma'} = \iota \circ \mu_\gamma \circ \iota$, where ι is the map $(y_1, \dots, y_r) \mapsto (y_1^{-1}, \dots, y_r^{-1})$. From this relation, we can easily verify that the exponents for $(A_r, 2)$ are the same as those for $(A_1, r + 1)$. Thus the corollary follows from Corollary 4.8 and Lemma 4.9. ■

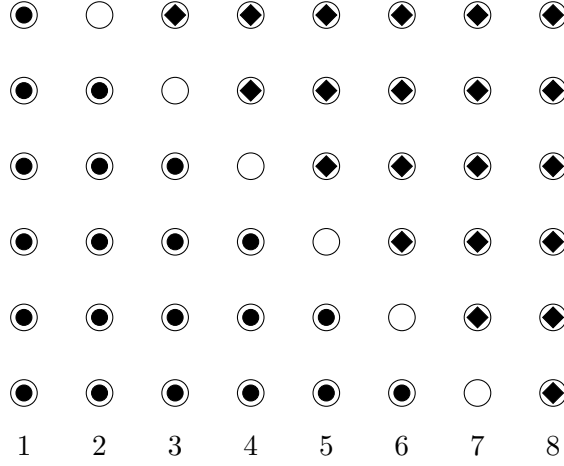


Figure 7. The exponents of $N_{A_r,2}$ and $D_{A_r,2}$ for $r = 6$. The meanings of the symbols are the same as in Fig. 3.

5 Partition q -series

5.1 Mutation networks

For a mutation loop $\gamma = (Q, m, \nu)$, we define a combinatorial object called a *mutation network*, which we will denote by \mathcal{N}_γ . This was introduced in [34]. Roughly speaking, a mutation network is a graph obtained by extracting only the parts that change in the transitions of the quivers. We will use mutation networks to define partition q -series.

Consider the sets defined by

$$\bar{E}(t) = \{(i, t) \mid 1 \leq i \leq n\}, \quad \bar{E} = \bigcup_{0 \leq t \leq T} \bar{E}(t).$$

We define an equivalence relation \sim on \bar{E} as follows:

1. For all $t = 1, \dots, T$, $(i, t-1) \sim (i, t)$ if $i \neq m_t$.
2. For all $i = 1, \dots, n$, $(\nu(i), T) \sim (i, 0)$.

Let $E = \bar{E}/\sim$ be the corresponding quotient set.

First, we define graphs $\bar{\mathcal{N}}_\gamma(t)$ for all $t = 1, \dots, T$. These consist of two types of vertices: black vertices and a single square vertex. The black vertices are labeled with elements in $\bar{E}(t-1) \cup \bar{E}(t)$, and represented as solid circles \bullet , while the square vertex is labeled with t , and represented as a hollow square \square . There are three types of edges joining these vertices: broken edges, arrows from the square vertex to a black vertex, and arrows from a black vertex to the square vertex. These edges are added as follows. First, we add broken edges between the square vertex and black vertices labeled with $(m_t, t-1)$ or (m_t, t) . Then, for all $i = 1, \dots, n$, we add $Q_{m_t, i}(t-1)$ arrows from the square vertex to the black vertex labeled with $(i, t-1)$ if $Q_{m_t, i}(t-1) > 0$. Finally, for all $i = 1, \dots, n$, we add $Q_{i, m_t}(t-1)$ arrows from the black vertex labeled with $(i, t-1)$ to the square vertex if $Q_{i, m_t}(t-1) > 0$. These rules can be summarized as follows:

- 1) $\begin{array}{c} (i, s) \\ \bullet \text{-----} \square \end{array} \begin{array}{c} t \\ \square \end{array}$ if $(i, s) = (m_t, t-1)$ or (m_t, t) ,
- 2) $\begin{array}{c} (i, s) \\ \bullet \end{array} \begin{array}{c} \xleftarrow{a} \\ \square \end{array} \begin{array}{c} t \\ \square \end{array}$ if $a = Q_{m_t, i}(t-1) > 0$ and $s = t-1$, for all i ,

$$3) \quad \begin{matrix} (i, s) \\ \bullet \end{matrix} \xrightarrow{a} \begin{matrix} t \\ \square \end{matrix} \text{ if } a = Q_{i, m_t}(t-1) > 0 \text{ and } s = t-1, \text{ for all } i.$$

Let $\overline{\mathcal{N}}_\gamma = \cup_{1 \leq t \leq T} \overline{\mathcal{N}}_\gamma(t)$. Then the mutation network \mathcal{N}_γ of the mutation sequence γ is defined to be the quotient of $\overline{\mathcal{N}}_\gamma$ by \sim :

$$\mathcal{N}_\gamma = \overline{\mathcal{N}}_\gamma / \sim.$$

Here, the quotient carried out such that the vertices are labeled with the elements of E , and all edges are included (i.e., we do not cancel the arrows pointing in the opposite direction). We denote the set of square vertices of \mathcal{N}_γ by Δ , that is, $\Delta = \{1, \dots, T\}$.

For a mutation network \mathcal{N}_γ , we define a map $\varphi: \Delta \rightarrow E$ from the set of the black vertices to the set of the square vertices by

$$\varphi(t) = [(m_t, t-1)],$$

where $[(m_t, t-1)]$ is an equivalence class that contains $(m_t, t-1)$. Let \mathbf{I}/ν is the set of ν -orbits in \mathbf{I} :

$$\mathbf{I}/\nu = \{ \{ \nu^k(i) \mid k \in \mathbb{Z} \} \mid i \in \mathbf{I} \}.$$

We also define a map $\psi: \Delta \rightarrow \mathbf{I}/\nu$ by

$$\psi(t) = [m_t],$$

where $[m_t]$ is the ν -orbit of m_t .

Lemma 5.1. *If γ is regular, both the map φ and ψ defined above are bijections.*

Proof. The injectivity of φ follows from the definition of E and φ , and the surjectivity of φ follows from the condition (1) in Definition 2.2. The injectivity of ψ follows from the condition (1) in Definition 2.2, and the surjectivity of ψ follows from the condition (2) in Definition 2.2. ■

In particular, the number of black vertices and the number of square vertices for a regular mutation loop are the same since φ is a bijection.

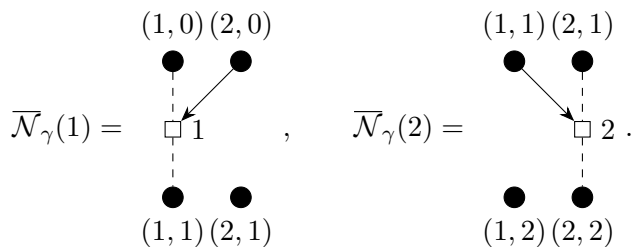
Example 5.2. Define a quiver Q by

$$Q = 1 \longleftarrow 2.$$

Let $\gamma = (Q, m, \nu)$, where $m = (1, 2)$ and $\nu = \text{id}$. It is a regular mutation loop since the quiver transitions are given by

$$\underline{1} \longleftarrow 2 \xrightarrow{\mu_1} \underline{1} \longrightarrow \underline{2} \xrightarrow{\mu_2} 1 \longleftarrow 2,$$

where the underlines indicate the mutated vertices. The graphs $\overline{\mathcal{N}}_\gamma(t)$ can then be given as



Let $E = \{e_1, e_2\}$ be the set of black vertices in \mathcal{N}_γ , where

$$e_1 = \{(1, 0), (1, 1), (1, 2)\}, \quad e_2 = \{(2, 0), (2, 1), (2, 2)\}.$$

The mutation network of γ is then given by



Definition 5.3. Let γ be a mutation loop and \mathcal{N}_γ be its mutation network. For any given pair consisting of a black vertex labeled with $e \in E$ and a square vertex labeled with $t \in \Delta$, let N_0^{et} be the number of broken lines between e and t , N_+^{et} be the number of arrows from t to e , and N_-^{et} be the number of arrows from e to t :

$$N_0^{et} = \#\left\{ \begin{array}{c} e \\ \bullet \text{-----} \square \\ t \end{array} \right\}, \quad N_+^{et} = \#\left\{ \begin{array}{c} e \\ \bullet \longleftarrow \square \\ t \end{array} \right\}, \quad N_-^{et} = \#\left\{ \begin{array}{c} e \\ \bullet \longrightarrow \square \\ t \end{array} \right\}.$$

Let N_0 be the $E \times \Delta$ matrix whose (e, t) -entry is N_0^{et} . Define the $E \times \Delta$ matrices N_+ and N_- likewise. We say that the matrices N_0 , N_+ , and N_- are the *adjacency matrices* of the mutation network \mathcal{N}_γ .

Definition 5.4. Let N_0 , N_+ , and N_- be the adjacency matrices of the mutation network \mathcal{N}_γ . Define two additional $E \times \Delta$ matrices $A_+ = (A_+^{et})$ and $A_- = (A_-^{et})$ by

$$A_+ = N_0 - N_+, \quad A_- = N_0 - N_-.$$

We call the matrices A_+ and A_- the *Neumann–Zagier matrices* of the mutation loop γ .

Example 5.5. Let γ be the mutation loop defined in Example 5.2. It follows from (5.1) that the adjacency matrices of the mutation network \mathcal{N}_γ are given by

$$N_0 = \begin{pmatrix} 2 & 0 \\ 0 & 2 \end{pmatrix}, \quad N_+ = \begin{pmatrix} 0 & 0 \\ 0 & 0 \end{pmatrix}, \quad N_- = \begin{pmatrix} 0 & 1 \\ 1 & 0 \end{pmatrix},$$

and the Neumann–Zagier matrices of the mutation loop γ are given by

$$A_+ = \begin{pmatrix} 2 & 0 \\ 0 & 2 \end{pmatrix}, \quad A_- = \begin{pmatrix} 2 & -1 \\ -1 & 2 \end{pmatrix}.$$

The following lemma is proved in [27].

Lemma 5.6. *The matrix $A_+ A_-^\top$ is symmetric, where $^\top$ is a transpose of a matrix.*

Proof. This follows from Proposition 3.11 in [27]. ■

In other words, Neumann–Zagier matrices satisfy the following relation:

$$A_+ A_-^\top = A_- A_+^\top.$$

5.2 Definition of partition q -series

Let γ be a mutation loop. Let E and Δ be the set of the black vertices and of the square vertices of the mutation network \mathcal{N}_γ , respectively.

We define two abelian groups Z_γ and B_γ by

$$Z_\gamma = \{(u, v) \mid u \in \mathbb{Z}^\Delta, v \in \mathbb{Q}^\Delta, A_- u = A_+ v\}, \quad B_\gamma = \{(A_+^\top w, A_-^\top w) \mid w \in \mathbb{Z}^E\}.$$

It follows from Lemma 5.6 that B_γ is a subgroup of Z_γ . Let H_γ be the quotient group of Z_γ by B_γ :

$$H_\gamma = Z_\gamma / B_\gamma.$$

For any elements $\sigma \in H_\gamma$, we define $\sigma_{\geq 0} \subset \sigma$ as follows:

$$\sigma_{\geq 0} = \{(u, v) \in \sigma \mid u_i \geq 0 \text{ for all } i = 1, \dots, N\}.$$

For vectors $u \in (\mathbb{Z}_{\geq 0})^\Delta$ and $v \in \mathbb{Q}^\Delta$, we define a q -series $W(x, y)$ by

$$W(u, v) = \frac{q^{\frac{1}{2}u \cdot v}}{(q)_{u_1} \cdots (q)_{u_T}},$$

where $u \cdot v$ is the usual dot product, that is, $u \cdot v := \sum_{i=1}^T u_i v_i$, and $(q)_n$ for a non-negative integer n is defined by

$$(q)_n = \prod_{k=1}^n (1 - q^k).$$

A mutation loop is called *nondegenerate* if A_+ is a non-singular matrix. In addition, a nondegenerate mutation loop is called *positive definite* if $A_+^{-1}A_-$ is a positive definite symmetric matrix. Note that $A_+^{-1}A_-$ is always symmetric (if the mutation is nondegenerate) since $A_+^{-1}A_- = A_+^{-1}A_-A_+^\top(A_+^{-1})^\top$, and $A_-A_+^\top$ is symmetric.

Definition 5.7. Let γ be a nondegenerate positive definite mutation loop, and σ be an element of H_γ . The *partition q -series* of γ associated with $\sigma \in H_\gamma$ is defined by

$$\mathcal{Z}_\gamma^\sigma(q) = \sum_{(u,v) \in \sigma_{\geq 0}} W(u, v).$$

We also define the *total partition q -series* of γ as the sum of the partition q -series over H_γ :

$$\mathcal{Z}_\gamma(q) = \sum_{\sigma \in H_\gamma} \mathcal{Z}_\gamma^\sigma(q).$$

Lemma 5.8. Suppose that γ is a nondegenerate positive definite mutation loop. Then the total partition q -series is given by

$$\mathcal{Z}_\gamma(q) = \sum_{u \in (\mathbb{Z}_{\geq 0})^\Delta} \frac{q^{\frac{1}{2}u^\top A_+^{-1}A_- u}}{(q)_{u_1} \cdots (q)_{u_T}}.$$

Proof. Because γ is nondegenerate, the abelian group Z_γ can be written as

$$Z_\gamma = \{(u, A_+^{-1}A_-u) \mid u \in \mathbb{Z}^\Delta\}. \quad (5.2)$$

This implies that

$$\mathcal{Z}_\gamma(q) = \sum_{u \in (\mathbb{Z}_{\geq 0})^\Delta} W(u, A_+^{-1}A_-u) = \sum_{u \in (\mathbb{Z}_{\geq 0})^\Delta} \frac{q^{\frac{1}{2}u^\top A_+^{-1}A_-u}}{(q)_{u_1} \cdots (q)_{u_T}},$$

and the sum is well-defined since $A_+^{-1}A_-$ is positive definite. \blacksquare

Corollary 5.9. *Suppose that γ is a nondegenerate positive definite mutation loop. Then partition q -series of γ associated with any $\sigma \in H_\gamma$ and the total partition q -series are well-defined as a formal power series with integer coefficients in some rational power of q .*

5.3 Asymptotics of partition q -series

In this section, we investigate the asymptotics of total partition q -series of nondegenerate positive definite mutation loops. The asymptotics will be described by using the Rogers dilogarithm function and the Jacobian matrix associated with the mutation loop.

Let γ be a nondegenerate positive definite mutation loop. For any $t = 1, \dots, T$, we define rational functions $z_+(y; t)$ and $z_-(y; t)$ by

$$z_+(y; t) = \frac{Y_{m_t}(t-1)}{1 + Y_{m_t}(t-1)}, \quad z_-(y; t) = \frac{1}{1 + Y_{m_t}(t-1)},$$

where $Y_{m_t}(t-1)$ is the rational function in y defined by (2.1).

Lemma 5.10. *There is $\eta \in (\mathbb{R}_{>0})^n$ such that $\mu_\gamma(\eta) = \eta$, and such η is unique.*

Proof. We define the following two sets:

$$\begin{aligned} \mathfrak{F}_\gamma^{>0} &= \{\eta \in (\mathbb{R}_{>0})^n \mid f_\gamma(\eta) = \eta\}, \\ \mathfrak{D}_\gamma^{(0,1)} &= \left\{ \zeta \in (0, 1)^T \mid \prod_{t=1}^T \zeta_t^{-A_+^{et}} (1 - \zeta_t)^{A_-^{et}} = 1 \text{ for all } e \in E \right\}. \end{aligned}$$

Using [27, Corollary 3.9], we find the map $\Phi: \mathfrak{F}_\gamma^{>0} \rightarrow \mathfrak{D}_\gamma^{(0,1)}$ defined by

$$\Phi(\eta) = z_+(\eta; t)$$

is a bijection.

Since the matrix A_+ is invertible, the set $\mathfrak{D}_\gamma^{(0,1)}$ can be expressed as

$$\mathfrak{D}_\gamma^{(0,1)} = \left\{ \zeta \in (0, 1)^T \mid \zeta_s = \prod_{t=1}^T (1 - \zeta_t)^{(A_+^{-1}A_-)_{st}} \text{ for all } s = 1, \dots, T \right\}. \quad (5.3)$$

Using the fact that $A_+^{-1}A_-$ is positive definite and [36, Lemma 2.1], we find that the right-hand side of (5.3) consists of one element. Thus $\mathfrak{F}_\gamma^{>0}$ also consists of one element. \blacksquare

The *Rogers dilogarithm function* $L(x)$ is defined by

$$L(x) = -\frac{1}{2} \int_0^x \left\{ \frac{\log(1-y)}{y} + \frac{\log y}{1-y} \right\}, \quad 0 \leq x \leq 1.$$

Using the Rogers dilogarithm function, we define a positive real number a by

$$a = \sum_{t=1}^T L(z_+(\eta; t)),$$

where η is the unique solution of the fixed point equation $\mu_\gamma(y) = y$ as in Lemma 5.10.

Let $J(y)$ be the Jacobian matrix of the rational function μ_γ :

$$J_\gamma(y) := \left(\frac{\partial \mu_i}{\partial y_j}(y) \right)_{i,j \in \mathbf{I}},$$

where μ_i is the i -th components of μ_γ .

Let ε be a positive real number, and $\varepsilon \rightarrow 0$ denote the limit in the positive real axis.

Theorem 5.11. *Let γ be a nondegenerate positive definite mutation loop. Then*

$$\lim_{\varepsilon \rightarrow 0} \mathcal{Z}_\gamma(e^{-\varepsilon}) e^{-\frac{a}{\varepsilon}} = \sqrt{\frac{\det A_+}{\det(I - J_\gamma(\eta))}}. \quad (5.4)$$

Proof. Using [36, Theorem 2.3], we find that

$$\lim_{\varepsilon \rightarrow 0} \mathcal{Z}_\gamma(e^{-\varepsilon}) e^{-\frac{a'}{\varepsilon}} = b',$$

where a' and b' are the real numbers given by

$$a' = \sum_{t=1}^T (L(1) - L(z_-(\eta; t))),$$

$$b' = \det(A_+^{-1} A_- + \text{diag}(\xi_1, \dots, \xi_T))^{-\frac{1}{2}} \prod_{t=1}^T z_+(\eta; t)^{-\frac{1}{2}},$$

and $\xi_t = z_-(\eta; t)/z_+(\eta; t)$. Since Rogers dilogarithm satisfies $L(x) + L(1-x) = L(1)$, we find that $a' = a$.

Let $Z_\pm = \text{diag}(z_\pm(\eta; 1), \dots, z_\pm(\eta; T))$. Then we compute the number b as follows:

$$\begin{aligned} b' &= \det(A_+^{-1} A_- + \text{diag}(\xi_1, \dots, \xi_T))^{-\frac{1}{2}} \prod_{t=1}^T z_+(\eta; t)^{-\frac{1}{2}} \\ &= \det(A_+^{-1} A_- + \text{diag}(\xi_1, \dots, \xi_T))^{-\frac{1}{2}} (\det Z_+)^{-\frac{1}{2}} \\ &= \det(A_+^{-1} A_- Z_+ + Z_-)^{-\frac{1}{2}} = (\det A_+)^{\frac{1}{2}} \det(A_+ Z_- + A_- Z_+)^{-\frac{1}{2}}. \end{aligned}$$

Using [27, Theorem 4.2], we find that

$$\det(A_+ Z_- + A_- Z_+) = \det(I - J_\gamma(\eta)),$$

completing the proof. ■

Remark 5.12. In [36] (as well as [35, 39]), they not only gave the limit of q -series, but also gave a formula on the asymptotic expansion in the powers of ε . Although it might be interesting to investigate higher order terms of the asymptotic expansion, it is not dealt with in this paper.

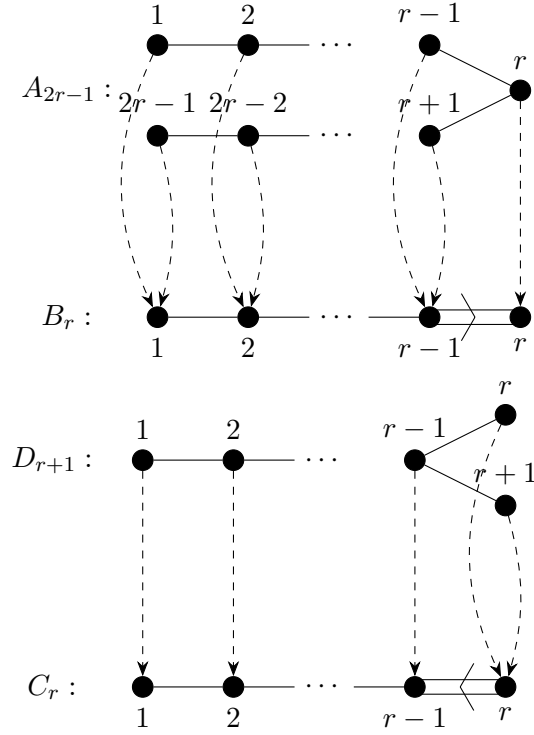


Figure 8. The map τ for $X_r = B_r, C_r$.

5.4 Partition q -series of the mutation loop on $Q(X_r, \ell)$

Let X_r be a finite type Dynkin diagram, and ℓ be a positive integer such that $\ell \geq 2$. Let $\gamma = \gamma(X_r, \ell)$ be the mutation loop defined in Section 3.3. In this section, we give an explicit expression of the partition q -series of $\gamma(X_r, \ell)$.

For a Dynkin diagram of type X_r , we define another Dynkin diagram of type $Y_{r'}$ as follows:

$$Y_{r'} = \begin{cases} X_r & \text{if } X = A, D \text{ or } E, \\ A_{2r-1} & \text{if } X_r = B_r, \\ D_{r+1} & \text{if } X_r = C_r, \\ E_6 & \text{if } X_r = F_4, \\ D_4 & \text{if } X_r = G_2. \end{cases}$$

We define a map

$$\tau: \{1, \dots, r'\} \rightarrow \{1, \dots, r\}$$

between the nodes of these two Dynkin diagrams by

$$\tau(a) = a$$

if $X = A, D$ or E ,

$$\tau(a) = \begin{cases} a & \text{if } 1 \leq a \leq r, \\ 2r - a & \text{if } r + 1 \leq a \leq 2r - 1 \end{cases}$$

if $X_r = B_r$,

$$\tau(a) = \begin{cases} a & \text{if } 1 \leq a \leq r, \\ r & \text{if } a = r + 1 \end{cases}$$

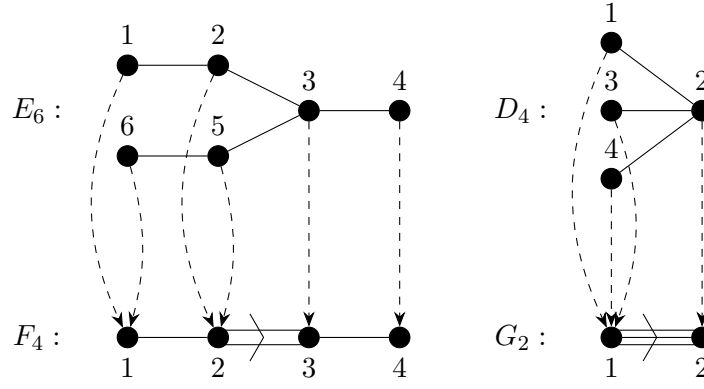


Figure 9. The map τ for $X_r = F_4, G_2$.

if $X_r = C_r$,

$$\tau(a) = \begin{cases} a & \text{if } 1 \leq a \leq 4, \\ 2 & \text{if } a = 5, \\ 1 & \text{if } a = 6 \end{cases}$$

if $X_r = F_4$, and

$$\tau(a) = \begin{cases} 1 & \text{if } a = 1, 3 \text{ or } 4, \\ 2 & \text{if } a = 2 \end{cases}$$

if $X_r = G_2$. These definitions are indicated in Figs. 8 and 9.

We define integers κ_a ($a = 1, \dots, r'$) by

$$\kappa_a = \#\{b \mid 1 \leq b \leq r', \tau(a) = \tau(b)\}.$$

Then the vertices in the quiver $Q(X_r, \ell)$ can be parameterized by the elements of the set

$$\mathbf{I} = \{(a, m) \mid 1 \leq a \leq r', 1 \leq m \leq \kappa_a \ell - 1\}.$$

Here we use the letter \mathbf{I} so that we identify the set of the vertices in the quiver with this set.¹

Let \mathbf{J} be the set defined by

$$\mathbf{J} = \{(a, m) \mid 1 \leq a \leq r, 1 \leq m \leq t_a \ell - 1\}.$$

Lemma 5.13. *The map*

$$\tau': \mathbf{I} \longrightarrow \mathbf{J}$$

defined by $\tau'(a, m) = (\tau(a), m)$ is well-defined and surjective.

Proof. The lemma follows from the fact that $\kappa_a = t_b$ if $\tau(a) = b$. ■

Lemma 5.14. *The induced map*

$$\tilde{\tau}': \mathbf{I}/\nu \longrightarrow \mathbf{J}$$

defined by $\tilde{\tau}'([(a, m)]) = \tau'(a, m)$ is well-defined and bijective.

¹This parametrization is slightly different from that in Section 3.3 that we used to define a mutation loop on $Q(G_2, \ell)$.

Proof. From the definitions of ν and τ' , we see that (a, m) and (b, k) belong to the same ν -orbit if and only if $\tau'(a, m) = \tau'(b, k)$. Thus $\tilde{\tau}'$ is well-defined and injective. It is also surjective from Lemma 5.13. \blacksquare

Using Lemmas 3.4, 5.1 and 5.14, we identify E and Δ with \mathbf{J} . In particular, we think that the Neumann–Zagier matrices A_+ and A_- are $\mathbf{J} \times \mathbf{J}$ matrices.

Let $A_{\pm}^{ab,mk}$ be the $((a, m), (b, k))$ -entries of the Neumann–Zagier matrices A_{\pm} . Let K be the $J_{\ell} \times J_{\ell}$ matrix defined by

$$K_{ab,mk} = \left(\min(t_b m, t_a k) - \frac{mk}{\ell} \right) (\alpha_a | \alpha_b),$$

where $K_{ab,mk}$ is the $((a, m), (b, k))$ -entry of K . Let $\bar{C}^a = (\bar{C}_{mk}^a)_{m,k=1,\dots,t_a\ell-1}$ be the Cartan matrix of type $A_{t_a\ell-1}$:

$$\bar{C}_{mk}^a = 2\delta_{mk} - \delta_{m,k-1} - \delta_{m,k+1}.$$

Proposition 5.15. *The Neumann–Zagier matrices of $\gamma(X_r, \ell)$ are given by*

$$\begin{aligned} A_+^{ab,mk} &= \delta_{ab} \bar{C}_{mk}^a, \\ A_-^{ab,mk} &= \sum_{n=1}^{t_a\ell-1} \bar{C}_{mn}^a K_{ab,nk}. \end{aligned}$$

Proof. First, we note that the components of A_+ and A_- come from the arrows of the vertical and horizontal directions, respectively, in the figures of quivers in Section 3.2. Then, the formula for A_+ that we want follows from the definition of $\gamma(X_r, \ell)$ because the components of A_+ come from arrows in the vertical $A_{t_a\ell-1}$ quivers. We can also verify from the definition of $\gamma(X_r, \ell)$ that the following formula for A_- holds:

$$A_-^{ab,mk} = \begin{cases} -C_{ab}(\delta_{2m,k-1} + 2\delta_{2m,k} + \delta_{2m,k+1}) & \text{if } t_b/t_a = 2, \\ -C_{ab}(\delta_{3m,k-2} + 2\delta_{3m,k-1} + 3\delta_{3m,k} + 2\delta_{3m,k+1} + \delta_{3m,k+2}) & \text{if } t_b/t_a = 3, \\ -C_{ba}\delta_{t_b m, t_a k} & \text{otherwise,} \end{cases}$$

where C_{ab} is the (a, b) -entry of the Cartan matrix of type X_r :

$$C_{ab} = \frac{2(\alpha_a | \alpha_b)}{(\alpha_a | \alpha_a)}.$$

By concrete calculation, we can see that the right-hand side of this equation coincides with

$$\sum_{n=1}^{t_a\ell-1} \bar{C}_{mn}^a K_{ab,nk},$$

and this complete the proof. \blacksquare

Corollary 5.16. *The following relation holds:*

$$K = A_+^{-1} A_-.$$

Moreover, $\gamma = \gamma(X_r, \ell)$ is nondegenerate and positive definite, and $\mu_{\gamma}(y) = y$ has a unique positive real solution.

Proof. The equation follows from Proposition 5.15. The positive definiteness of K is well-known (e.g., see the proof of Proposition 1.8 in [12]). The last argument follows from Lemma 5.10. \blacksquare

Let Q be the free abelian group defined by

$$Q = \bigoplus_{a=1}^r \mathbb{Z}\alpha_a.$$

The free abelian group Q is called a root lattice. Let M be the free abelian subgroup of Q defined by

$$M = \bigoplus_{a=1}^r \mathbb{Z}t_a\alpha_a.$$

For any element $u \in \mathbb{Z}^{\mathbf{J}}$, let $u_m^{(a)}$ denote the (a, m) -entry of u .

Lemma 5.17. *The group homomorphism*

$$\bar{F}: Z_\gamma \longrightarrow Q$$

defined by

$$\bar{F}(u, v) = \sum_{(a,m) \in \mathbf{J}} m u_m^{(a)} \alpha_a$$

is surjective, and the kernel of $\iota \circ \bar{F}$ is equal to B_γ , where $\iota: Q \rightarrow Q/\ell M$ is the projection. Thus we obtain the group isomorphism

$$F: H_\gamma \longrightarrow Q/\ell M. \quad (5.5)$$

Proof. Since A_+ is non-singular, the abelian group Z_γ is given by (5.2). Thus the map \bar{F} is surjective since

$$\bar{F}(u, v) = \sum_{a=1}^r u_1^{(a)} \alpha_a$$

if $u_m^{(a)} = 0$ for all $m > 1$.

For any element $w \in \mathbb{Z}^{\mathbf{J}}$, we compute

$$\begin{aligned} \bar{F}(A_+^\top w, A_-^\top w) &= \sum_{(a,m) \in \mathbf{J}} m \left(\sum_{(b,k) \in \mathbf{J}} \delta_{ab} \bar{C}_{mk}^a w_k^{(b)} \right) \alpha_a \\ &= \sum_{a=1}^r \left(\sum_{m=1}^{t_a \ell - 1} 2m w_m^{(a)} - \sum_{m=1}^{t_a \ell - 2} (m+1) w_m^{(a)} - \sum_{m=2}^{t_a \ell - 1} (m-1) w_m^{(a)} \right) \alpha_a \\ &= \sum_{a=1}^r t_a \ell w_{t_a \ell - 1}^{(a)} \alpha_a, \end{aligned}$$

and this shows that $B_\gamma = \ker(\iota \circ \bar{F})$ as desired. ■

Theorem 5.18. *The partition q -series of $\gamma = \gamma(X_r, \ell)$ associated with $\sigma \in H_\gamma$ is given by*

$$\mathcal{Z}_\gamma^\sigma(q) = \sum_{u \in (\mathbb{Z}_{\geq 0})^{\mathbf{J}}, (\diamond)} \frac{q^{\frac{1}{2} u^\top K u}}{\prod_{(a,m) \in \mathbf{J}} (q)_{u_m^{(a)}}},$$

where the sum runs over $u \in (\mathbb{Z}_{\geq 0})^{\mathbf{J}}$ under the condition

$$\sum_{(a,m) \in \mathbf{J}} m u_m^{(a)} \alpha_a \equiv \lambda \pmod{\ell M}, \quad (\diamond)$$

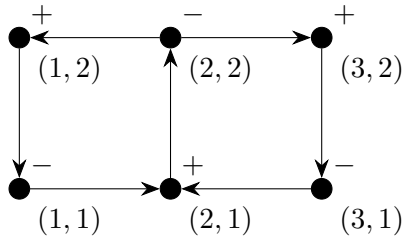
where λ is a representative of $F(\sigma)$.

Proof. The theorem follows from Corollary 5.16 and Lemma 5.17. ■

Corollary 5.19. *The total partition q -series of $\gamma = \gamma(X_r, \ell)$ is given by*

$$Z_\gamma(q) = \sum_{u \in (\mathbb{Z}_{\geq 0})^{\mathbf{J}}} \frac{q^{\frac{1}{2}u^T K u}}{\prod_{(a,m) \in \mathbf{J}} (q)_{u_m^{(a)}}}.$$

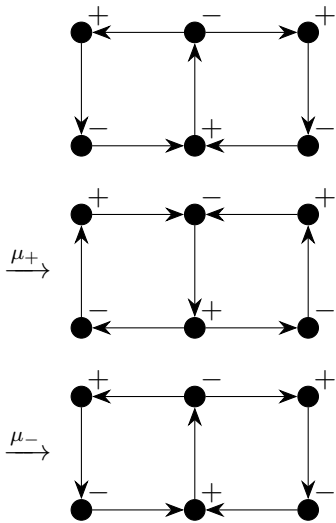
Example 5.20. Let $(X_r, \ell) = (A_3, 3)$. The quiver $Q(A_3, 3)$ is given by



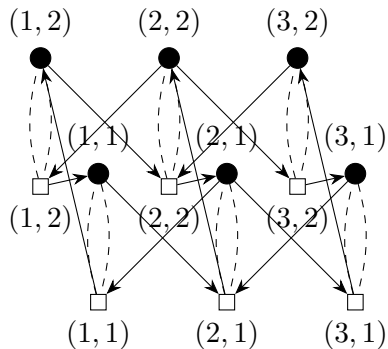
The set of indices of $Q(A_3, 3)$ is

$$\mathbf{I} = \{(1, 1), (1, 2), (2, 1), (2, 2), (3, 1), (3, 2)\}.$$

The mutation loop $\gamma = \gamma(A_3, 3)$ is given by



The mutation network \mathcal{N}_γ is given by



The set of indices of \mathcal{N}_γ is

$$\mathbf{J} = \{(1, 1), (1, 2), (2, 1), (2, 2), (3, 1), (3, 2)\}. \quad (5.6)$$

The adjacency matrices of \mathcal{N}_γ are given by $N_0 = 2I$ and

$$N_+ = \begin{pmatrix} 0 & 1 & 0 & 0 & 0 & 0 \\ 1 & 0 & 0 & 0 & 0 & 0 \\ 0 & 0 & 0 & 1 & 0 & 0 \\ 0 & 0 & 1 & 0 & 0 & 0 \\ 0 & 0 & 0 & 0 & 0 & 1 \\ 0 & 0 & 0 & 0 & 1 & 0 \end{pmatrix}, \quad N_- = \begin{pmatrix} 0 & 0 & 1 & 0 & 0 & 0 \\ 0 & 0 & 0 & 1 & 0 & 0 \\ 1 & 0 & 0 & 0 & 1 & 0 \\ 0 & 1 & 0 & 0 & 0 & 1 \\ 0 & 0 & 1 & 0 & 0 & 0 \\ 0 & 0 & 0 & 1 & 0 & 0 \end{pmatrix},$$

so the Neumann–Zagier matrices of γ are given by

$$A_+ = \begin{pmatrix} 2 & -1 & 0 & 0 & 0 & 0 \\ -1 & 2 & 0 & 0 & 0 & 0 \\ 0 & 0 & 2 & -1 & 0 & 0 \\ 0 & 0 & -1 & 2 & 0 & 0 \\ 0 & 0 & 0 & 0 & 2 & -1 \\ 0 & 0 & 0 & 0 & -1 & 2 \end{pmatrix}, \quad A_- = \begin{pmatrix} 2 & 0 & -1 & 0 & 0 & 0 \\ 0 & 2 & 0 & -1 & 0 & 0 \\ -1 & 0 & 2 & 0 & -1 & 0 \\ 0 & -1 & 0 & 2 & 0 & -1 \\ 0 & 0 & -1 & 0 & 2 & 0 \\ 0 & 0 & 0 & -1 & 0 & 2 \end{pmatrix},$$

where we choose an order of \mathbf{J} as in (5.6).

Lemma 5.6 implies that

$$A_+ A_-^\top = A_- A_+^\top = \begin{pmatrix} 4 & -2 & -2 & 1 & 0 & 0 \\ -2 & 4 & 1 & -2 & 0 & 0 \\ -2 & 1 & 4 & -2 & -2 & 1 \\ 1 & -2 & -2 & 4 & 1 & -2 \\ 0 & 0 & -2 & 1 & 4 & -2 \\ 0 & 0 & 1 & -2 & -2 & 4 \end{pmatrix}$$

is a symmetric matrix. When $X = A, D$ or E , the Neumann–Zagier matrices A_+ and A_- themselves are symmetric, so we find that they are commuting, that is, $A_+ A_- = A_- A_+$. Furthermore, they are (possibly decomposable) symmetric Cartan matrices. We remark that such a pair of commuting Cartan matrices appeared in the study of W -graphs by Stembridge [31], and also in the classification of periodic mutations by Galashin and Pylyavskyy [7].

The positive definite matrix $A_+^{-1} A_-$ is given by

$$A_+^{-1} A_- = \frac{1}{3} \begin{pmatrix} 4 & 2 & -2 & -1 & 0 & 0 \\ 2 & 4 & -1 & -2 & 0 & 0 \\ -2 & -1 & 4 & 2 & -2 & -1 \\ -1 & -2 & 2 & 4 & -1 & -2 \\ 0 & 0 & -2 & -1 & 4 & 2 \\ 0 & 0 & -1 & -2 & 2 & 4 \end{pmatrix}.$$

The partition q -series are parametrized by elements of the following set:

$$H_\gamma = \{(a, 0, b, 0, c, 0) \mid 0 \leq a, b, c, \leq 2\},$$

where $(u, v) + Z_\gamma \in H_\gamma$ is denoted by $(u_1^{(1)}, u_1^{(2)}, u_1^{(3)}, u_2^{(3)}, u_3^{(3)})$. Let us write $(a, 0, b, 0, c, 0)$ more simply as abc . Then we have

$$H_\gamma = \{000, 100, 200, 010, 110, 210, 020, 120, 220, 001, 101, 201, 011, 111, 211, 021, 121, 221, 002, 102, 202, 012, 112, 212, 022, 122, 222\}.$$

We exhibit several low order terms of the partition q -series:

$$\mathcal{Z}_\gamma^\sigma(q) = 1 + 6q^2 + 20q^3 + 54q^4 + 144q^5 + 360q^6 + 804q^7 + O(q^8)$$

if $\sigma = 000$,

$$q^{\frac{2}{3}} + 3q^{\frac{5}{3}} + 13q^{\frac{8}{3}} + 38q^{\frac{11}{3}} + 108q^{\frac{14}{3}} + 264q^{\frac{17}{3}} + 622q^{\frac{20}{3}} + 1364q^{\frac{23}{3}} + O(q^{\frac{26}{3}})$$

if $\sigma = 100, 200, 010, 110, 020, 220, 001, 011, 111, 002, 022, 222$,

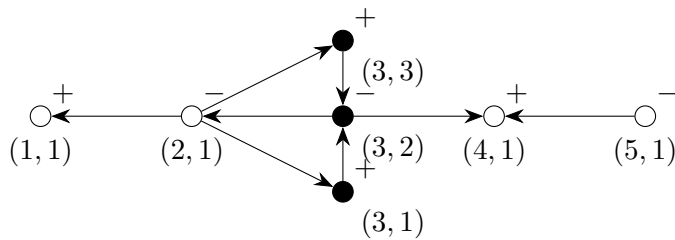
$$q + 6q^2 + 18q^3 + 56q^4 + 144q^5 + 357q^6 + 808q^7 + 1767q^8 + O(q^9)$$

if $\sigma = 210, 120, 211, 021, 221, 012, 112, 122$, and

$$2q^{\frac{4}{3}} + 8q^{\frac{7}{3}} + 28q^{\frac{10}{3}} + 76q^{\frac{13}{3}} + 199q^{\frac{16}{3}} + 468q^{\frac{19}{3}} + 1060q^{\frac{22}{3}} + 2256q^{\frac{25}{3}} + O(q^{\frac{28}{3}})$$

if $\sigma = 101, 201, 121, 102, 202, 212$.

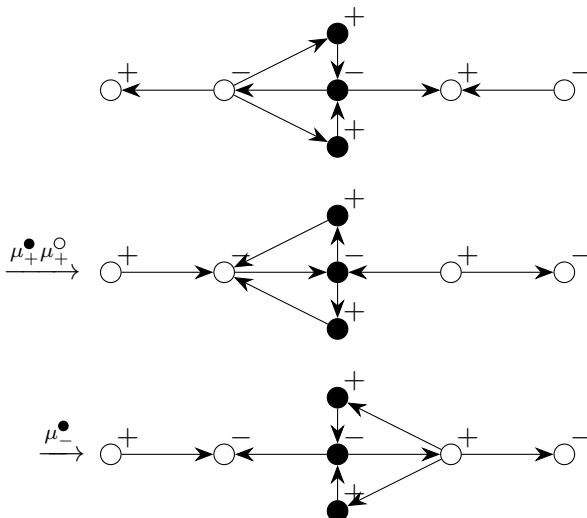
Example 5.21. Let $(X_r, \ell) = (B_3, 2)$. The quiver $Q(B_3, 2)$ is given by



The set of indices of $Q(B_3, 2)$ is

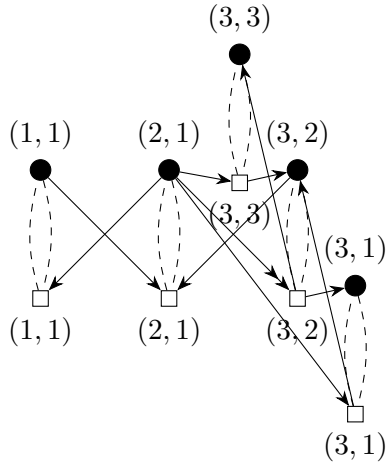
$$\mathbf{I} = \{(1, 1), (2, 1), (3, 1), (3, 2), (3, 3), (4, 1), (5, 1)\}.$$

The mutation loop $\gamma = \gamma(B_3, 2)$ is given by



where the first quiver and the last quiver are identified by the left-right reflection ν .

The mutation network \mathcal{N}_γ is given by



The set of indices of \mathcal{N}_γ is

$$\mathbf{J} = \{(1, 1), (2, 1), (3, 1), (3, 2), (3, 3)\}. \quad (5.7)$$

The adjacency matrices of \mathcal{N}_γ are given by $N_0 = 2I$ and

$$N_+ = \begin{pmatrix} 0 & 0 & 0 & 0 & 0 \\ 0 & 0 & 0 & 0 & 0 \\ 0 & 0 & 0 & 1 & 0 \\ 0 & 0 & 1 & 0 & 1 \\ 0 & 0 & 0 & 1 & 0 \end{pmatrix}, \quad N_- = \begin{pmatrix} 0 & 1 & 0 & 0 & 0 \\ 1 & 0 & 1 & 2 & 1 \\ 0 & 0 & 0 & 0 & 0 \\ 0 & 1 & 0 & 0 & 0 \\ 0 & 0 & 0 & 0 & 0 \end{pmatrix},$$

so the Neumann–Zagier matrices of γ are given by

$$A_+ = \begin{pmatrix} 2 & 0 & 0 & 0 & 0 \\ 0 & 2 & 0 & 0 & 0 \\ 0 & 0 & 2 & -1 & 0 \\ 0 & 0 & -1 & 2 & -1 \\ 0 & 0 & 0 & -1 & 2 \end{pmatrix}, \quad A_- = \begin{pmatrix} 2 & -1 & 0 & 0 & 0 \\ -1 & 2 & -1 & -2 & -1 \\ 0 & 0 & 2 & 0 & 0 \\ 0 & -1 & 0 & 2 & 0 \\ 0 & 0 & 0 & 0 & 2 \end{pmatrix},$$

where we choose an order of \mathbf{J} as in (5.7).

The matrix A_- is not symmetric, but

$$A_+ A_-^\top = A_- A_+^\top = \begin{pmatrix} 4 & -2 & 0 & 0 & 0 \\ -2 & 4 & 0 & -2 & 0 \\ 0 & 0 & 4 & -2 & 0 \\ 0 & -2 & -2 & 4 & -2 \\ 0 & 0 & 0 & -2 & 4 \end{pmatrix}$$

is symmetric as promised by Lemma 5.6.

The positive definite matrix $A_+^{-1} A_-$ is given by

$$A_+^{-1} A_- = \frac{1}{2} \begin{pmatrix} 2 & -1 & 0 & 0 & 0 \\ -1 & 2 & -1 & -2 & -1 \\ 0 & -1 & 3 & 2 & 1 \\ 0 & -2 & 2 & 4 & 2 \\ 0 & -1 & 1 & 2 & 3 \end{pmatrix}.$$

The partition q -series are parametrized by elements of the following set:

$$H_\gamma = \{(a, b, c, 0, 0) \mid 0 \leq a, b \leq 1, 0 \leq c \leq 3\},$$

where $(u, v) + Z_\gamma \in H_\gamma$ is denoted by $(u_1^{(1)}, u_1^{(2)}, u_1^{(3)}, u_2^{(3)}, u_3^{(3)})$. Let us write $(a, b, c, 0, 0)$ more simply as abc . Then we have

$$H_\gamma = \{000, 100, 010, 110, 001, 101, 011, 111, 002, 102, 012, 112, 003, 103, 013, 113\}.$$

We exhibit several low order terms of the partition q -series:

$$Z_\gamma^\sigma(q) = 1 + 9q^2 + 21q^3 + 66q^4 + 144q^5 + 349q^6 + 723q^7 + O(q^8)$$

if $\sigma = 000$,

$$q^{\frac{1}{2}} + 4q^{\frac{3}{2}} + 13q^{\frac{5}{2}} + 38q^{\frac{7}{2}} + 97q^{\frac{9}{2}} + 228q^{\frac{11}{2}} + 504q^{\frac{13}{2}} + 1057q^{\frac{15}{2}} + O(q^{\frac{17}{2}})$$

if $\sigma = 100, 010, 110, 102, 012, 112$,

$$q^{\frac{3}{4}} + 5q^{\frac{7}{4}} + 17q^{\frac{11}{4}} + 48q^{\frac{15}{4}} + 120q^{\frac{19}{4}} + 279q^{\frac{23}{4}} + 608q^{\frac{27}{4}} + 1261q^{\frac{31}{4}} + O(q^{\frac{35}{4}})$$

if $\sigma = 001, 011, 111, 003, 013, 113$,

$$3q^{\frac{5}{4}} + 9q^{\frac{9}{4}} + 30q^{\frac{13}{4}} + 75q^{\frac{17}{4}} + 187q^{\frac{21}{4}} + 411q^{\frac{25}{4}} + 885q^{\frac{29}{4}} + 1783q^{\frac{33}{4}} + O(q^{\frac{37}{4}})$$

if $\sigma = 101, 103$, and

$$3q + 6q^2 + 25q^3 + 57q^4 + 156q^5 + 334q^6 + 744q^7 + 1491q^8 + O(q^9)$$

if $\sigma = 002$.

6 Relationships with affine Lie algebras

6.1 Affine Lie algebras

In this section, we review basic concepts of affine Lie algebras and their integrable highest weight modules. See [14] for more detail. Let $X_r (= A_r, B_r, C_r, D_r, E_{6,7,8}, F_4$ or $G_2)$ be a finite type Dynkin diagram, and \mathfrak{g} be the finite dimensional simple Lie algebra of type X_r over \mathbb{C} . Let \mathfrak{h} be a Cartan subalgebra of \mathfrak{g} , and Δ be the set of roots. We also use the notations on root systems that we used in Section 3.1. We extend the inner product $(\cdot | \cdot)$ to the nondegenerate symmetric bilinear form on \mathfrak{h}^* . We define the following two free abelian groups:

$$Q = \bigoplus_{a=1}^r \mathbb{Z}\alpha_a, \quad M = \bigoplus_{a=1}^r \mathbb{Z}t_a\alpha_a.$$

We also define the following sets:

$$P = \left\{ \Lambda \in \mathfrak{h}^* \mid \frac{2(\Lambda | \alpha_a)}{(\alpha_a | \alpha_a)} \in \mathbb{Z} \text{ for all } a = 1, \dots, r \right\},$$

$$P_+ = \left\{ \Lambda \in P \mid \frac{2(\Lambda | \alpha_a)}{(\alpha_a | \alpha_a)} \geq 0 \text{ for all } a = 1, \dots, r \right\}.$$

Let

$$\hat{\mathfrak{g}} = \mathfrak{g} \otimes \mathbb{C}[t, t^{-1}] \oplus \mathbb{C}K \oplus \mathbb{C}d$$

be the affine Lie algebra associated with \mathfrak{g} . The Lie bracket on $\hat{\mathfrak{g}}$ is defined as

$$\begin{aligned} [X \otimes t^m, Y \otimes t^n] &= [X, Y] \otimes t^{m+n} + m\delta_{m+n,0} \cdot (X | Y)K, \\ [K, \hat{\mathfrak{g}}] &= \{0\}, \\ [d, X \otimes t^n] &= nX \otimes t^n. \end{aligned}$$

Fix a non-negative integer ℓ . Let us define the following set:

$$P_+^\ell = \{\Lambda \in P_+ \mid (\Lambda | \theta) \leq \ell\},$$

where θ is the highest root in Δ . For any $\Lambda \in P_+^\ell$, there is the unique level ℓ integrable highest weight $\hat{\mathfrak{g}}$ -module such that the classical part of its highest weight is Λ , which is denoted by $L(\Lambda)$.

We define the following rational numbers associated with $L(\Lambda)$:

$$c(\ell) = \frac{\ell \dim \mathfrak{g}}{\ell + h^\vee}, \quad h_\Lambda = \frac{(\Lambda | \Lambda + 2\rho)}{2(\ell + h^\vee)}.$$

Let $q = e^{2\pi i \tau}$. For any diagonalizable linear map $\alpha: V \rightarrow V$ with eigenvalues $\lambda_1, \lambda_2, \dots$ with finite multiplicities m_1, m_2, \dots , we define the trace $\text{tr}_V q^\alpha$ by $\text{tr}_V q^\alpha = \sum_i m_i q^{\lambda_i}$. We define the following two functions as in [16]:

$$\chi_\Lambda(\tau) = q^{-\frac{c(\ell)}{24}} \text{tr}_{L(\Lambda)} q^{h_\Lambda - d}, \quad b_\lambda^\Lambda(\tau) = q^{-\frac{c(\ell)-r}{24}} \text{tr}_{U(\Lambda, \lambda)} q^{h_\Lambda - \frac{(\lambda | \lambda)}{2\ell} - d}, \quad (6.1)$$

where $\lambda \in \mathfrak{h}^*$ and

$$U(\Lambda, \lambda) = \{v \in L(\Lambda) \mid (h \otimes t^n)v = \delta_{n,0} \lambda(h)v \text{ for all } h \in \mathfrak{h}, n \geq 0\}.$$

These series converge to holomorphic functions on the upper half-plane $\mathbb{H} = \{\tau \in \mathbb{C} \mid \text{Im } \tau > 0\}$. The function $\chi_\Lambda(\tau)$ is called the (specialized) *normalized character*² of $L(\Lambda)$, and $b_\lambda^\Lambda(\tau)$ is called the *branching function* for the pair $(\mathfrak{g}, \mathfrak{h})$. We will simply call $b_\lambda^\Lambda(\tau)$ as the branching function. Note that dividing this branching function by the r -th power of the Dedekind eta function yields the *string function* in [15].

The asymptotics of the normalized character and the branching function were studied in detailed in [15, 16]. Let $\tau \downarrow 0$ denote the limit in the positive imaginary axis.

Theorem 6.1 ([15, 16]). *Suppose that $\lambda \in \Lambda + Q$. Then*

$$\lim_{\tau \downarrow 0} \chi_\Lambda(\tau) e^{-\frac{\pi i c(\ell)}{12\tau}} = a(\Lambda), \quad (6.2)$$

$$\lim_{\tau \downarrow 0} b_\lambda^\Lambda(\tau) e^{-\frac{\pi i (c(\ell)-r)}{12\tau}} = |P/Q|^{\frac{1}{2}} |Q/\ell M|^{-\frac{1}{2}} a(\Lambda), \quad (6.3)$$

where $a(\Lambda)$ is the real number defined by

$$a(\Lambda) = |P/(\ell + h^\vee)M|^{-\frac{1}{2}} \prod_{\alpha \in \Delta_+} 2 \sin \frac{\pi(\Lambda + \rho | \alpha)}{\ell + h^\vee}.$$

The real number $a(\Lambda)$ is called the *asymptotic dimension* of $L(\Lambda)$ for the following reason. The module $L(\Lambda)$ is infinite dimensional unless Λ is trivial, and $\chi_\Lambda(0) = \dim L(\Lambda) = \infty$. However, (6.2) says that by multiplying by the appropriate exponential term and taking the limit, we can get the finite number $a(\Lambda)$. Therefore, we can think that the real number $a(\Lambda)$ is the “dimension” of $L(\Lambda)$.

²More precisely, $\chi_\Lambda(\tau)$ is the normalized character in [16] at $z = t = 0$.

6.2 Exponents and asymptotic dimension

The branching functions with $\Lambda = 0$ are expected to coincide with the partition q -series that we studied in Section 5.4 via the conjectural formula of the branching functions in [22]. This was first observed in [17] for the total partition q -series with $X = ADE$. Let $b_\lambda^\Lambda(q)$ denote the formal q -series defined by the right-hand side of (6.1).

Conjecture 6.2 ([22]). *Suppose that $\ell \geq 2$. Let $\gamma = \gamma(X_r, \ell)$ be the mutation loop defined in Section 3.3. Suppose that $\sigma \in H_\gamma$, and $\lambda \in Q$ is a representative of $F(\sigma)$, where F is defined as (5.5). Then*

$$q^{-\frac{c(\ell)-r}{24}} \mathcal{Z}_\gamma^\sigma(q) = b_\lambda^0(q). \quad (6.4)$$

By summing (6.4) for all elements in $Q/\ell M$, we obtain the following conjectural identity on the total partition q -series:

$$q^{-\frac{c(\ell)-r}{24}} \mathcal{Z}_\gamma(q) = \sum_{\lambda \in Q/\ell M} b_\lambda^0(q). \quad (6.5)$$

By comparing the asymptotics (5.4) and (6.3), we find that (6.5) yields the following identities:

$$\frac{6}{\pi^2} \sum_{t=1}^T L(z_+(\eta; t)) = c(\ell) - r, \quad (6.6)$$

and

$$\frac{1}{\sqrt{I - J_\gamma(\eta)}} = |P/Q|^{\frac{1}{2}} a(0), \quad (6.7)$$

where we use $\det A_+ = |Q/\ell M|$, which follows from Proposition 5.15.

The identity (6.6) is called the dilogarithm identity in conformal field theories, and proved in [12, 13, 29] by using cluster algebras. On the other hand, the identity (6.7) is exactly Conjecture 3.8 at $x = 1$ because

$$\begin{aligned} \frac{N_{X_r, \ell}(1)}{D_{X_r, \ell}(1)} &= \prod_{a=1}^r t_a(\ell + h^\vee) \left(\prod_{\alpha \in \Delta_+} 2 \sin \frac{\pi(\rho | \alpha)}{\ell + h^\vee} \right)^{-2} \\ &= |Q/(\ell + h^\vee)M| \left(\prod_{\alpha \in \Delta_+} 2 \sin \frac{\pi(\rho | \alpha)}{\ell + h^\vee} \right)^{-2} = |P/Q|^{-1} a(0)^{-2}. \end{aligned}$$

Consequently, the conjectural identity (6.7) gives us a consistency between our conjecture on exponents (Conjecture 3.8) and the known conjecture on q -series (Conjecture 6.2), and also gives an interesting connection between the theory of cluster algebras and the representation theory of affine Lie algebras.

Acknowledgements

The author gratefully acknowledges the help provided by Yuji Terashima. This work is supported by JSPS KAKENHI Grant Number JP18J22576.

References

- [1] Bartlett N., Warnaar S.O., Hall–Littlewood polynomials and characters of affine Lie algebras, *Adv. Math.* **285** (2015), 1066–1105, [arXiv:1304.1602](#).
- [2] Calegari F., Garoufalidis S., Zagier D., Bloch groups, algebraic K -theory, units, and Nahm’s conjecture, [arXiv:1712.04887](#).
- [3] Flohr M., Grabow C., Koehn M., Fermionic expressions for the characters of $c_{p,1}$ logarithmic conformal field theories, *Nuclear Phys. B* **768** (2007), 263–276, [arXiv:hep-th/0611241](#).
- [4] Fomin S., Zelevinsky A., Cluster algebras. I. Foundations, *J. Amer. Math. Soc.* **15** (2002), 497–529, [arXiv:math.RT/0104151](#).
- [5] Fomin S., Zelevinsky A., Y -systems and generalized associahedra, *Ann. of Math.* **158** (2003), 977–1018, [arXiv:hep-th/0111053](#).
- [6] Fomin S., Zelevinsky A., Cluster algebras. IV. Coefficients, *Compos. Math.* **143** (2007), 112–164, [arXiv:math.RA/0602259](#).
- [7] Galashin P., Pylyavskyy P., The classification of Zamolodchikov periodic quivers, *Amer. J. Math.* **141** (2019), 447–484, [arXiv:1603.03942](#).
- [8] Garoufalidis S., Lê T.T.Q., Nahm sums, stability and the colored Jones polynomial, *Res. Math. Sci.* **2** (2015), Art. 1, 55 pages, [arXiv:1112.3905](#).
- [9] Georgiev G., Combinatorial constructions of modules for infinite-dimensional Lie algebras, II. Parafermionic space, [arXiv:q-alg/9504024](#).
- [10] Gleitz A.-S., On the KNS conjecture in type E , *Ann. Comb.* **18** (2014), 617–643, [arXiv:1307.2738](#).
- [11] Hatayama G., Kuniba A., Okado M., Takagi T., Tsuboi Z., Paths, Crystals and Fermionic Formulae, in MathPhys odyssey, 2001, *Prog. Math. Phys.*, Vol. 23, [Birkhäuser Boston](#), Boston, MA, 2002, 205–272, [arXiv:math.QA/0102113](#).
- [12] Inoue R., Iyama O., Keller B., Kuniba A., Nakanishi T., Periodicities of T -systems and Y -systems, dilogarithm identities, and cluster algebras I: type B_r , *Publ. Res. Inst. Math. Sci.* **49** (2013), 1–42, [arXiv:1001.1880](#).
- [13] Inoue R., Iyama O., Keller B., Kuniba A., Nakanishi T., Periodicities of T -systems and Y -systems, dilogarithm identities, and cluster algebras II: types C_r , F_4 , and G_2 , *Publ. Res. Inst. Math. Sci.* **49** (2013), 43–85, [arXiv:1001.1881](#).
- [14] Kac V.G., Infinite-dimensional Lie algebras, 3rd ed., [Cambridge University Press](#), Cambridge, 1990.
- [15] Kac V.G., Peterson D.H., Infinite-dimensional Lie algebras, theta functions and modular forms, *Adv. Math.* **53** (1984), 125–264.
- [16] Kac V.G., Wakimoto M., Modular and conformal invariance constraints in representation theory of affine algebras, *Adv. Math.* **70** (1988), 156–236.
- [17] Kato A., Terashima Y., Quiver mutation loops and partition q -series, *Comm. Math. Phys.* **336** (2015), 811–830, [arXiv:1403.6569](#).
- [18] Keller B., The periodicity conjecture for pairs of Dynkin diagrams, *Ann. of Math.* **177** (2013), 111–170, [arXiv:1001.1531](#).
- [19] Kirillov A.N., Identities for the Rogers dilogarithmic function connected with simple Lie algebras, *J. Soviet Math.* **47** (1989), 2450–2459.
- [20] Kuniba A., Thermodynamics of the $U_q(X_r^{(1)})$ Bethe ansatz system with q a root of unity, *Nuclear Phys. B* **389** (1993), 209–244.
- [21] Kuniba A., Nakanishi T., Spectra in conformal field theories from the Rogers dilogarithm, *Modern Phys. Lett. A* **7** (1992), 3487–3494, [arXiv:hep-th/9206034](#).
- [22] Kuniba A., Nakanishi T., Suzuki J., Characters in conformal field theories from thermodynamic Bethe ansatz, *Modern Phys. Lett. A* **8** (1993), 1649–1659, [arXiv:hep-th/9301018](#).
- [23] Kuniba A., Nakanishi T., Suzuki J., T -systems and Y -systems in integrable systems, *J. Phys. A: Math. Theor.* **44** (2011), 103001, 146 pages, [arXiv:1010.1344](#).
- [24] Lee C.-H., Nahm’s conjecture and Y -systems, *Commun. Number Theory Phys.* **7** (2013), 1–14, [arXiv:1109.3667](#).
- [25] Lee C.-H., A proof of the KNS conjecture: D_r case, *J. Phys. A: Math. Theor.* **46** (2013), 165201, 12 pages, [arXiv:1210.1669](#).

-
- [26] Lee C.-H., Positivity and periodicity of Q -systems in the WZW fusion ring, *Adv. Math.* **311** (2017), 532–568, [arXiv:1302.1467](#).
- [27] Mizuno Y., Jacobian matrices of Y -seed mutations, *Adv. in Appl. Math.* **115** (2020), 101987, 36 pages, [arXiv:1805.00044](#).
- [28] Nahm W., Recknagel A., Terhoeven M., Dilogarithm identities in conformal field theory, *Modern Phys. Lett. A* **8** (1993), 1835–1847, [arXiv:hep-th/9211034](#).
- [29] Nakanishi T., Dilogarithm identities for conformal field theories and cluster algebras: simply laced case, *Nagoya Math. J.* **202** (2011), 23–43, [arXiv:0909.5480](#).
- [30] Nakanishi T., Periodicities in cluster algebras and dilogarithm identities, in Representations of Algebras and Related Topics, *EMS Ser. Congr. Rep.*, *Eur. Math. Soc.*, Zürich, 2011, 407–443, [arXiv:1006.0632](#).
- [31] Stembridge J.R., Admissible W -graphs and commuting Cartan matrices, *Adv. in Appl. Math.* **44** (2010), 203–224.
- [32] Stoyanovsky A.V., Lie algebra deformations and character formulas, *Funct. Anal. Appl.* **32** (1998), 66–68.
- [33] Stoyanovsky A.V., Feigin B.L., Functional models for representations of current algebras and semi-infinite Schubert cells, *Funct. Anal. Appl.* **28** (1994), 55–72.
- [34] Terashima Y., Yamazaki M., $\mathcal{N} = 2$ theories from cluster algebras, *Progr. Theor. Exper. Phys.* **2014** (2012), 023B01, 37 pages, [arXiv:1301.5902](#).
- [35] Terhoeven M., Dilogarithm identities, fusion rules and structure constants of CFTs, *Modern Phys. Lett. A* **9** (1994), 133–141, [arXiv:hep-th/9307056](#).
- [36] Vlasenko M., Zwegers S., Nahm’s conjecture: asymptotic computations and counterexamples, *Commun. Number Theory Phys.* **5** (2011), 617–642, [arXiv:1104.4008](#).
- [37] Warnaar S.O., Proof of the Flohr–Grabow–Koehn conjectures for characters of logarithmic conformal field theory, *J. Phys. A: Math. Theor.* **40** (2007), 12243–12254, [arXiv:0704.3118](#).
- [38] Warnaar S.O., Zudilin W., Dedekind’s η -function and Rogers–Ramanujan identities, *Bull. Lond. Math. Soc.* **44** (2012), 1–11, [arXiv:1001.1571](#).
- [39] Zagier D., The dilogarithm function, in *Frontiers in Number Theory, Physics, and Geometry. II*, Springer, Berlin, 2007, 3–65.